

B2W,B3W,B4W,B5W,B6W ECONOMICAL DOOR CLOSERS SOLUTIONS

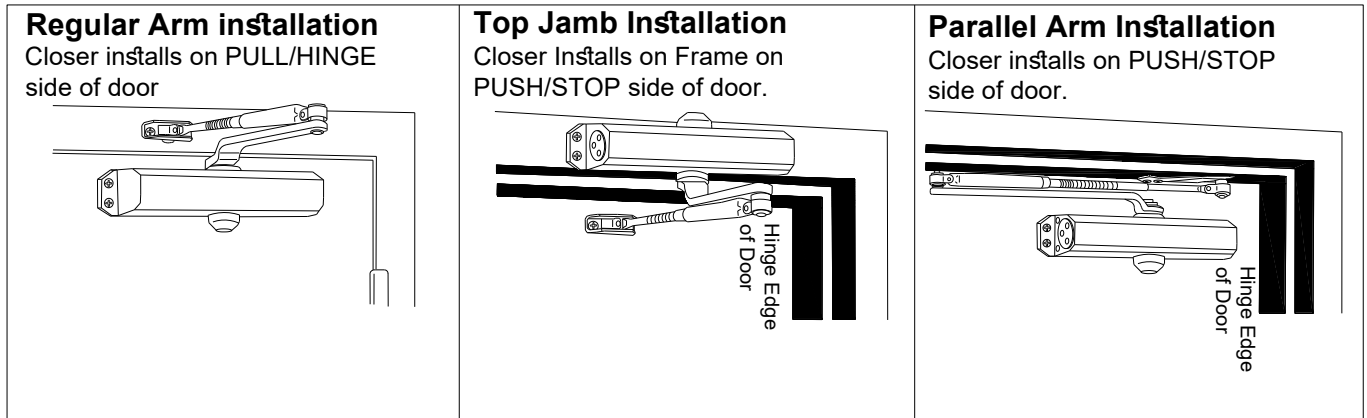


STANDARD FEATURES

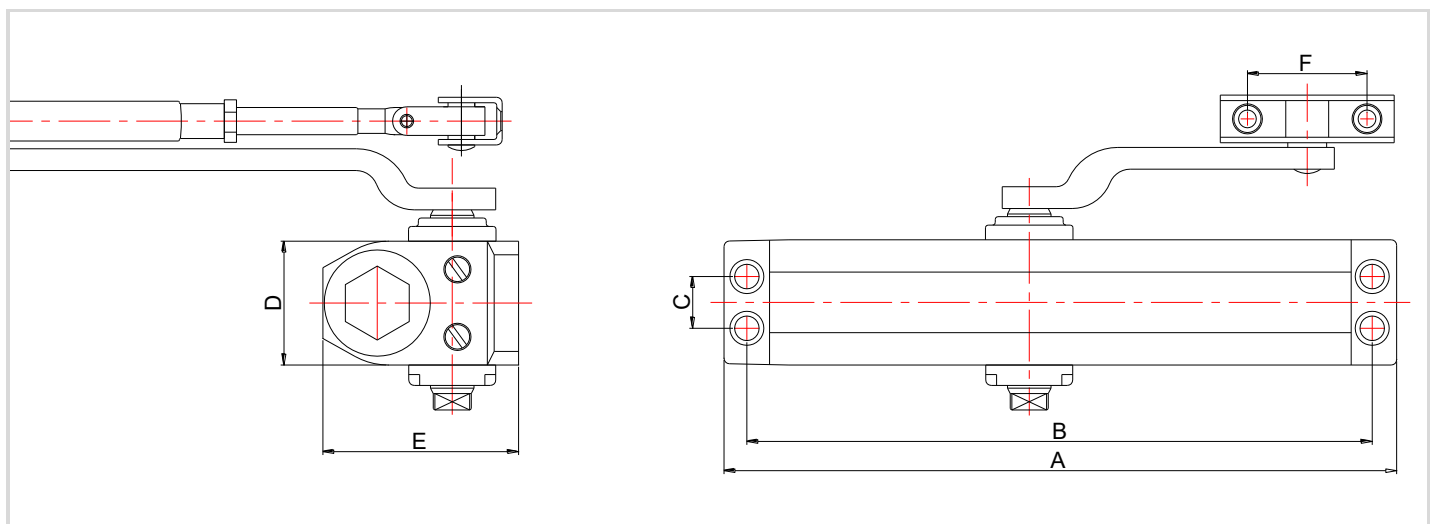
- UL and CUL listed,UL10C up to 3 hours fire rating
- Fixed Size 2/3/4/5/6 power size available,suit for different door weight.
- Non handed for left hand and Right Hand door
- High strength Die Cast aluminilum body
- Adjustable closing and latch Speed
- All weather fluid for working temprature 55C to -42C.
- Standard Reular arm and Top Jamb installation
- Finish: Silver (Alumninum), Brown, White; other finishes upon customer's request.

OPTIONAL FEATURES

- Parallel Arm Bracket for prallel arm installation



TECHNICAL DIMENSIONS & HOW TO ORDER



- A: Closer body length
- B: Horizontal Holes Spacing
- C: Vertical Holes Spacing
- D: Closer body Width
- E: Closer Body Projection
- F: Arm Shoe Spacing

| Model # | Technical Dimensions (Unit: mm) | | | | | | Door closer Power Size | Recommended Door Weight | Recommended Door leaf Width (mm) | Warranty: |
|---------|---------------------------------|---------|----|----|----|----|------------------------|-------------------------|----------------------------------|-----------|
| | A | B | C | D | E | F | | | | |
| B2W | 147 | 132 | 19 | 36 | 56 | 44 | SIZE 2 | 25-45 kg | 850 | 2 years |
| B3W | 178 | 162-168 | 19 | 39 | 62 | 44 | SIZE 3 | 45-65 kg | 950 | 2 years |
| B4W | 204 | 188 | 19 | 42 | 71 | 44 | SIZE 4 | 65-85 kg | 1100 | 5 years |
| B5W | 226 | 208 | 19 | 46 | 72 | 44 | SIZE 5 | 85-120 kg | 1400 | 5 years |
| B6W | 248 | 230 | 19 | 46 | 72 | 44 | SIZE 6 | 120-150 kg | 1600 | 5 years |

****The door width given are for standard installation, In case of unusually high or heavy doors, windy or draughty conditions, or sepcial installations, a large power size of door closer should be us ed.