



Latch bolt lock

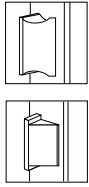
Intertek



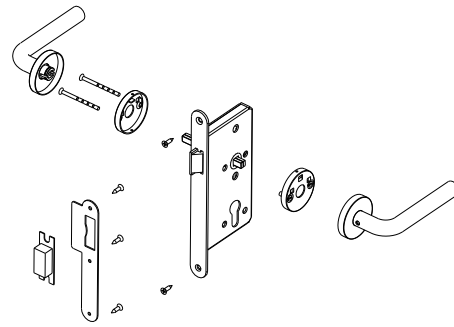
BS EN 12209:2003



F



H10001+5572ZL Configuration



o Type

- EL4072ZL EL5572ZL EL5572ZL-L/R
- EL4572ZL EL6072ZL EL6072ZL-L/R
- EL5072ZL EL6572ZL EL6572ZL-L/R



SSS



PSS

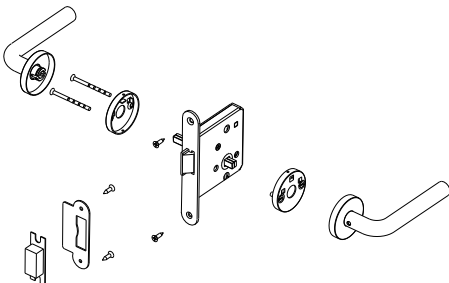


PVD

Features

- 1 According to DIN 18.250, class 3
- 1 For wooden or steel doors
- 1 Optional for non-rebated doors
- 1 Suitable for external fire and smoke protection doors

LR001D +55ZL Configuration



F



o Type

- EL55ZL

