



ZWC Series Bathroom Lock

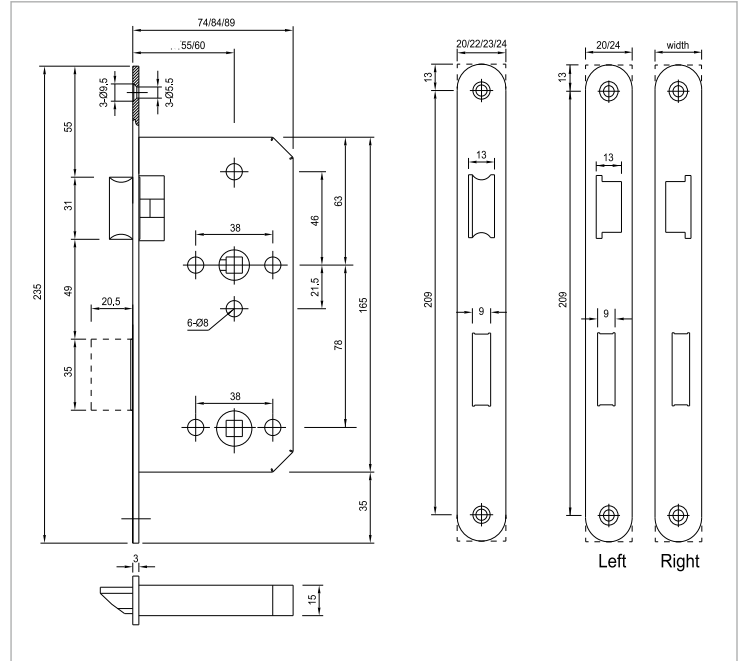


F



O Type

- EL 4578ZWC EL 5578ZWC-L/R
- EL 5578ZWC EL 6078ZWC-L/R
- EL 6078ZWC



Technical data

| | |
|----------|---------------------|
| Follower | 8-8/6/5mm 9-8/6/5mm |
| Distance | 72mm |
| Backset | 45mm 55mm 60mm |

Forend

| | |
|-----------|-------------------------|
| Type | round head, square head |
| Thickness | 3mm |
| Width | 18, 20, 22, 23, 24mm |

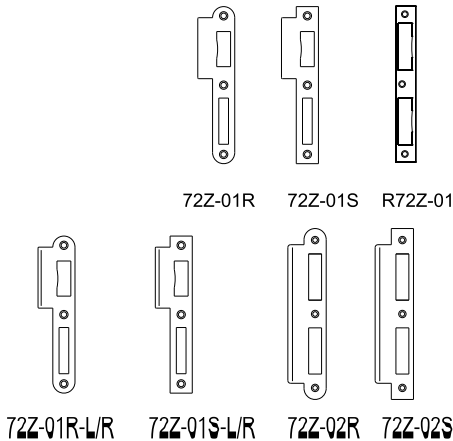
Forend finish

| | |
|-----------------|-------------|
| Stainless steel | SSS PSS PVD |
|-----------------|-------------|

Accessories

| | |
|-------------------------------------|--|
| Strike plate | |
| Pocket | |
| Lock and strike plate fixing screws | |

Strike plate type



Features

- 1 According to DIN 18.250,18.251 class 3
- 1 For wooden or steel doors
- 1 Optional for rebated or non-rebated doors
- 1 For bathroom doors
- 1 With turn knob action
- 1 Deadbolt 1-turn

