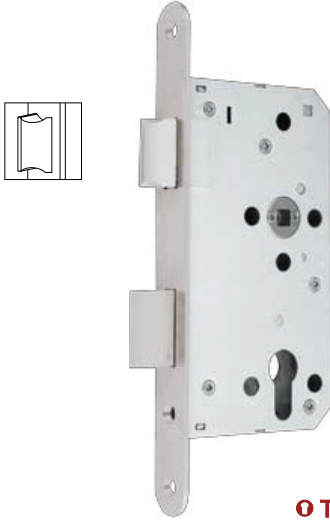




Escape function lock



F



O Type

EL 6072A-L

EL 6072A-R

Features

- ① According to DIN 18.250 class 3
- ① For wooden or steel doors
- ① Suitable for external fire and smoke protection doors
- ① Prepared for profile cylinders
- ① With key action
- ① Deadbolt 1-turns

Technical data

Follower	8×8mm
Distance	72mm
Backset	60mm

Forend

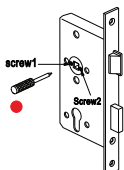
Type	round head, square head
Thickness	3mm
Width	20, 24mm

Forend finish

Stainless steel	SSS PSS PVD
-----------------	-------------

Accessories

Strike plate
Pocket
Lock and strike plate fixing screws

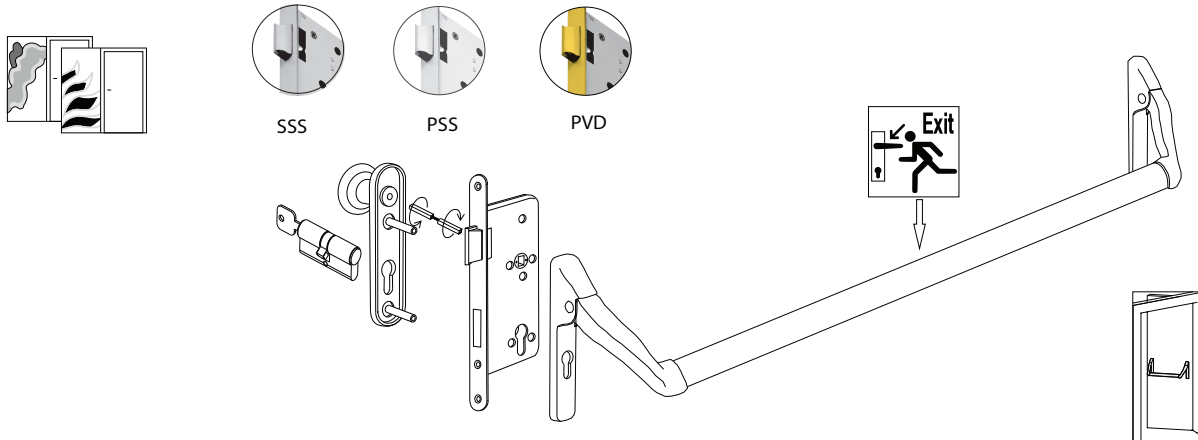


The transformation of inside and outside by lockbody

How to reverse the escape function: remove the screw1 and screw 2 and then install them into the reverse side of the lock! The screws-fixing side is inside!

Function of use:

The lever / Knob outside is at natural state,
When unlocked the door can be operated from outside by using key.
When unlocked the door can be operated from inside without key by pushing touchbar/handle,
the Escape side is in accord with Opening direction



SSS PSS PVD

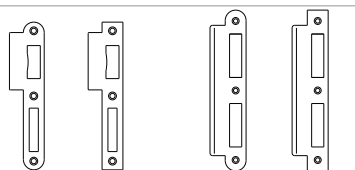
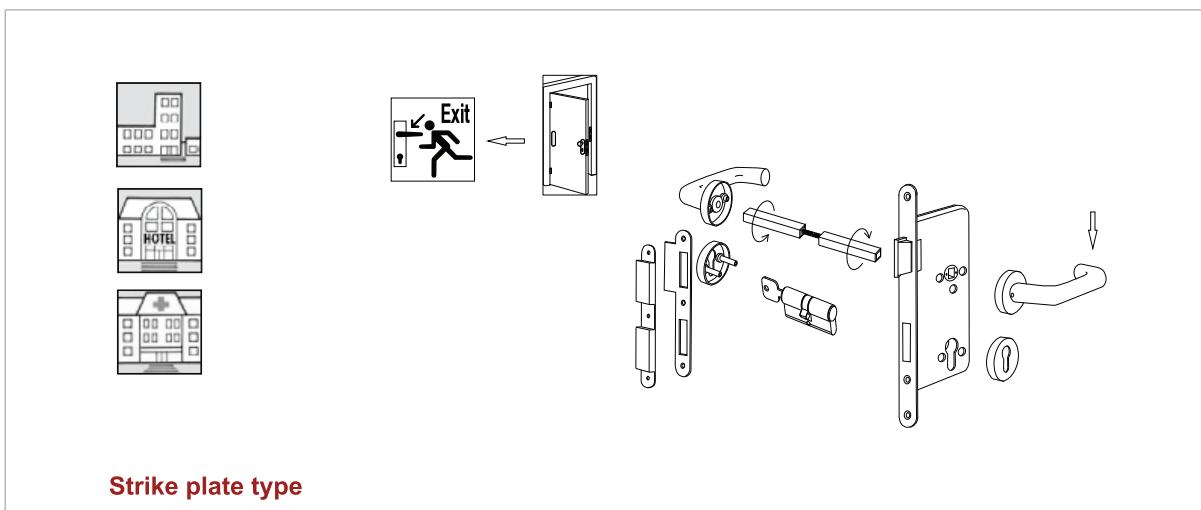




Escape function lock



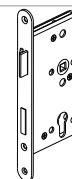
BS EN 12209:2003



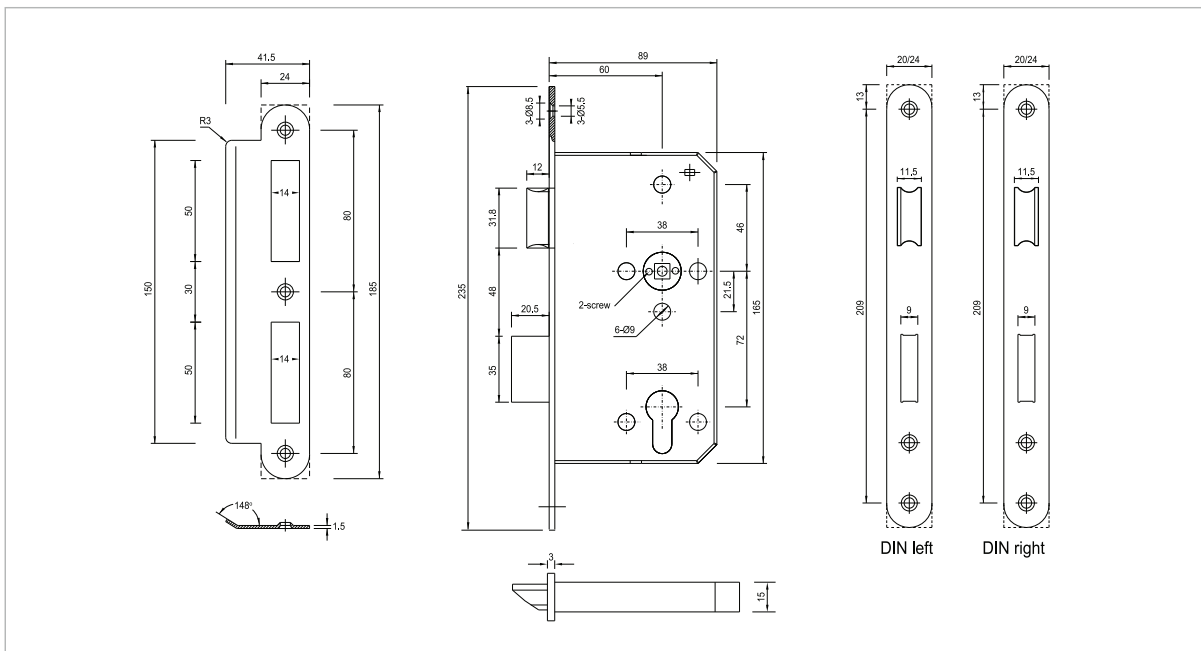
72Z-01R 72Z-01S 72Z-02R 72Z-02S



DIN left hand



DIN right hand



DIN left

DIN right



SSS



PSS



PVD

