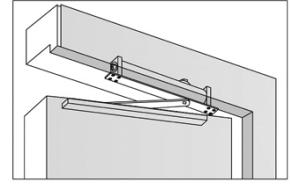
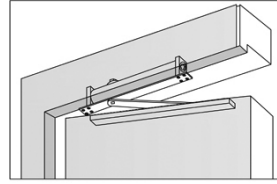
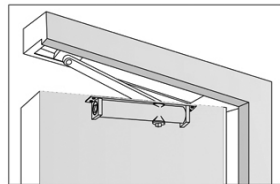
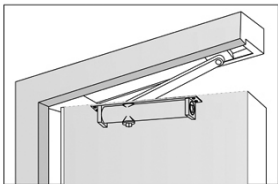


OVERHEAD CONCEALED DOOR CLOSER F7300 SERIES

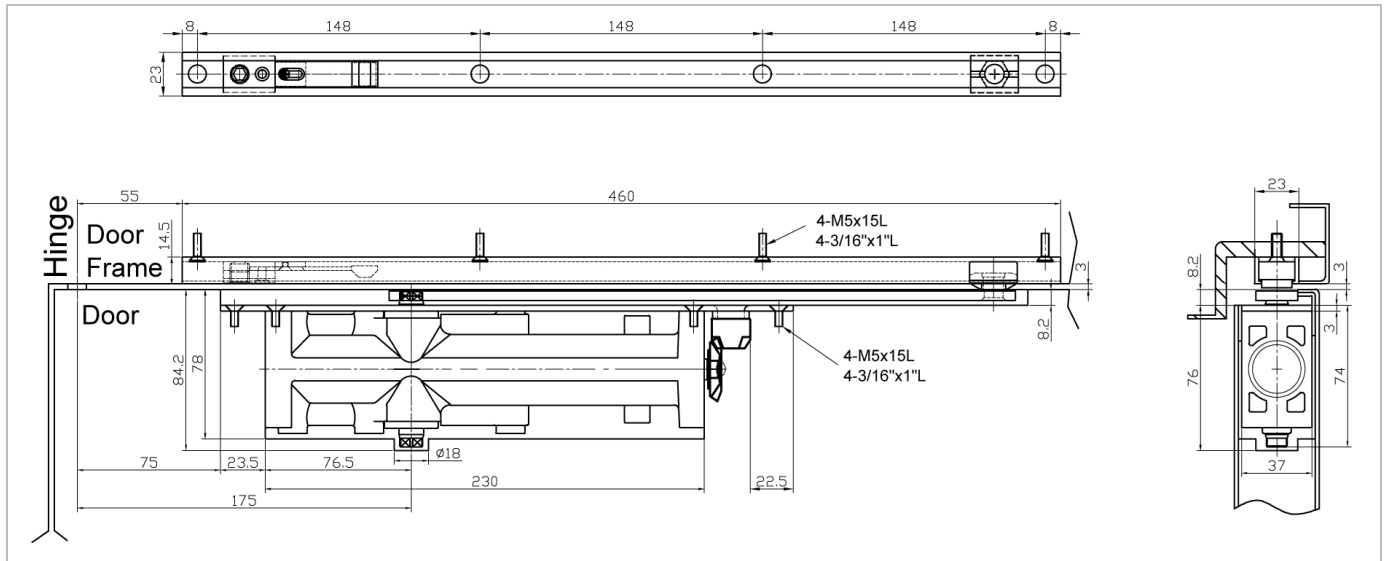


STANDARD FEATURES

- UL and CUL listed, UL 10C 3 hours fire rating
- Die Aluminum body, Guide rail mounting
- Closer body inside of the door after installation.
- Rack and pinion design.
- Adjustable spring power size 2-4
- Non handed for left or right hand door.
- Standard closing and latching
- 5 years warranty
- Needle bearing for light opening force
- Standard packing include hold open device
- Standard and transom mounting
- Finish: silver(Aluminum); others upon the request



TECHNICAL DIMENSIONS.



SELECTION CHART

Model	Closing force	Door Mass	Max Door Width	Remarks
F7325	Size 2-4	25-85 Kg	1100 mm	
F7325BC	Size 2-4	25-85 Kg	1100 mm	With backcheck