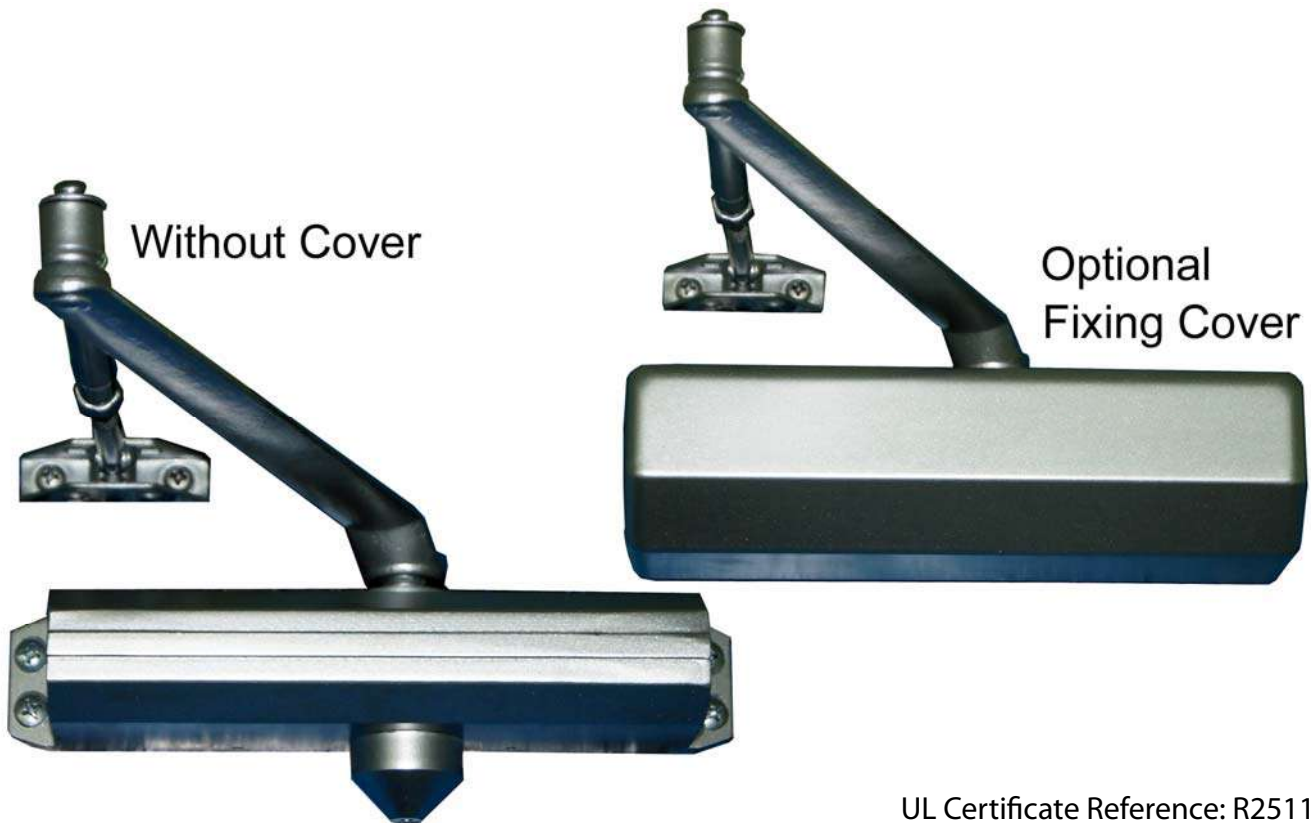


F8900 SERIES

HEAVY DUTY COMMERCIAL DOOR CLOSERS



UL Certificate Reference: R25111



CONFORMS TO STANDARDS
UL IOC AND UBC 7-2 (1997)

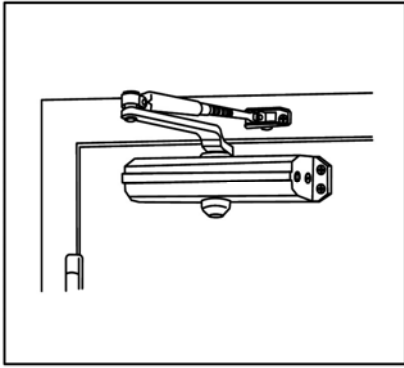


STANDARD FEATURES

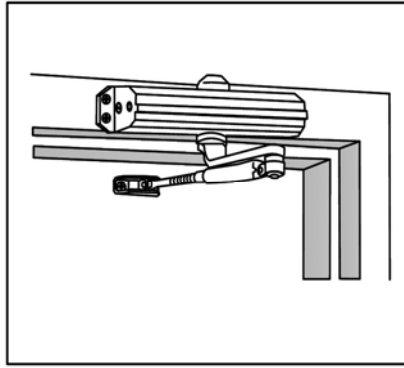
- UL and CUL listed; UL 10C fire rated
 - Factory tested to meet or Exceed ANSI A 156.4 Grade 1
 - ADA compliant
 - Adjustable power size 1 to 4, 3 to 6 .Fixed spring power is optional
 - Cast aluminum body ;forged steel arm
 - Standard sweep and latching speed
 - Standard adjustable backcheck
 - Standard Tri-packed for regular arm, top jamb and parallel arm application
 - Standard self tapping and drilling screws
 - Finish: Aluminum(AL); Duronodic (DU)
 - 5 years limited warranty
- Cross reference:norton 1600 Or 1601 Series

OPTIONAL FEATURES

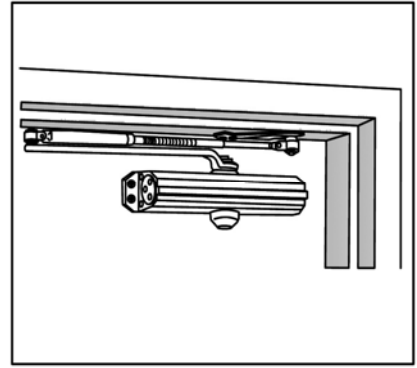
- Plastic Cover
- Sex Nuts
- Drop Plate
- Hold open arm



Regular arm -Pull Side

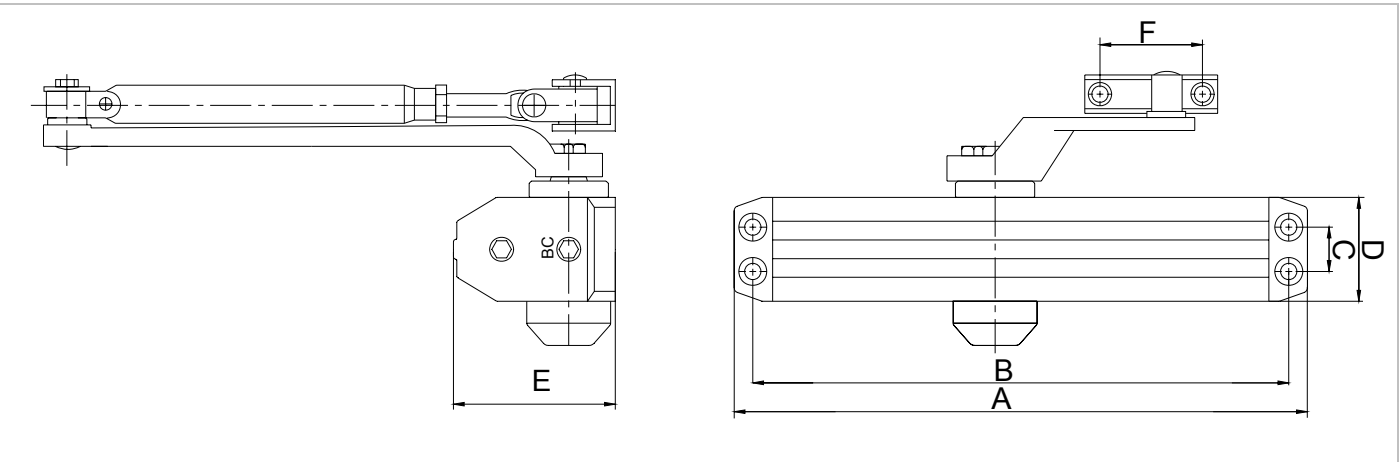


Top Jamb -Push Side



Parallel arm -Push Side

TECHNICAL DIMENSIONS & HOW TO ORDER




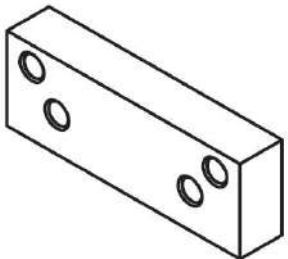

Description	Dimensions
A. Length of Closer Body	9-3/4" (248 mm)
B. Horizontal Mounting Holes	9-1/16" (230 mm)
C. Vertical Mounting Holes	3/4" (19 mm)
D. Closer Body Height	1-13/16" (46 mm)
E. Projection from Door	2-3/4" (70 mm)
F. Arm Shoe Spacing	1-3/4" (44mm)

Model	Size	Remarks
F8903BC	3	Tri-packed; With Backcheck
F8904BC	4	Tri-packed; With Backcheck
F8905BC	5	Tri-packed; With Backcheck
F8914BC	1-4	Tri-packed; With Backcheck
F8936BC	3-6	Tri-packed; With Backcheck

Closer Size	Regular & Top Jamb			Parallel Arm			Applicable Door Weight Lbs (Kg)
	Interior	Exterior Inswing	Maximum Size of Door Exterior outswingin g	Closer Size	Interior	Exterior Outswinging	
1	28" (0.71m)			1			33-66 (15-30)
2	36" (0.91 m)			2	30"(0.76m)		66-99 (30-45)
3	42"(1.07 m)	30" (0.76m)	36"(0.91m)	3	36" (0.91m)	30"(0.76m)	99-143(45-65)
4	48"(1.22 m)	36"(0.91m)	42" (1.07m)	4	42"(1.07m)	36"(0.91m)	143-187(65-85)
5	54" (1.37 m)	42"(1.07m)	48" (1.22m)	5	48"(1.22m)	42"(1.07m)	178-264(85-120)

OPTIONAL ACCESSORIES

Description	Picture	How to order
<p>3 1/2" Tall Drop Plate</p>		<p>Code: 89-DP PA Available Finish: AL /DU/BZ/GLD</p>
<p>2 9/16" Tall Narrow Drop Plate</p>		<p>Code: 89-DP RATJ Available Finish: AL /DU/BZ/GLD</p>
<p>Friction type-Hold open arm with P.A.B</p>		<p>Code: 89-FHO Available Finish: AL /DU/BZ/GLD</p>
<p>Cush Stop Arm</p>		<p>Code: 8389-CSA Available Finish: AL /DU/BZ/GLD</p>
<p>Cush Stop Hold Open Arm</p>		<p>Code: 8389-CSHO Available Finish: AL /DU/BZ/GLD</p>
<p>Full Plastic Cover</p>		<p>Code: 89-PCOV Available Finish: AL /DU/BZ/GLD</p>

Sex Nuts		Code: SN Available Finish: AL /DU/BZ/GLD
Blade Stop Spacer		Code: 8389-BSS Available Finish: AL /DU/BZ/GLD
Extended Long rod and Shoe		Code: 89-ELRS Available Finish: AL /DU/BZ/GLD