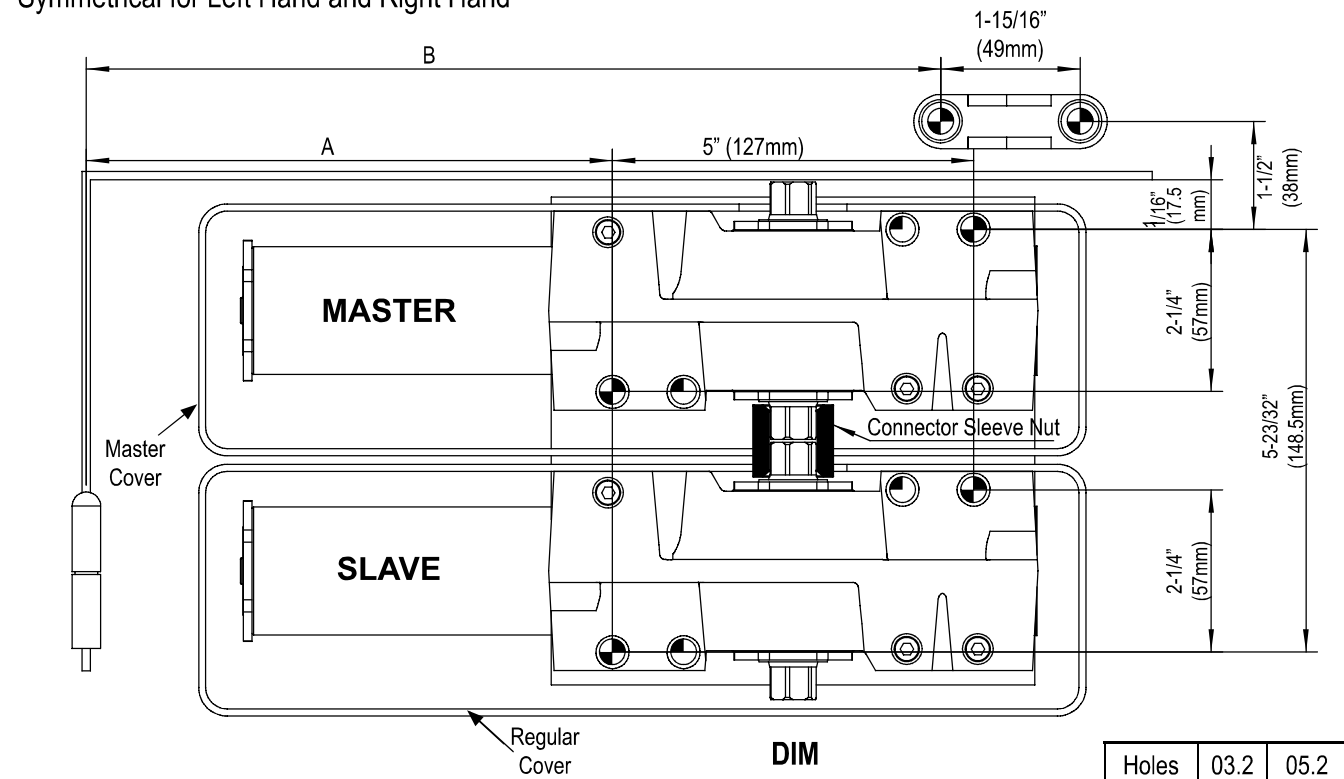


REGULAR ARM (PULL SIDE) MOUNTING

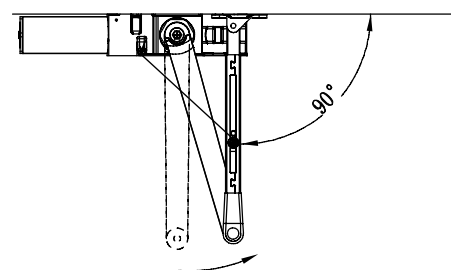
Symmetrical for Left Hand and Right Hand



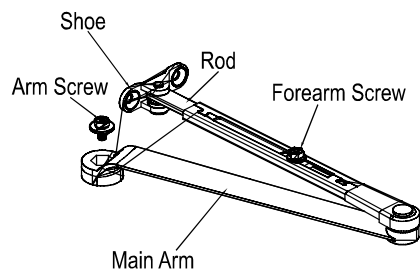
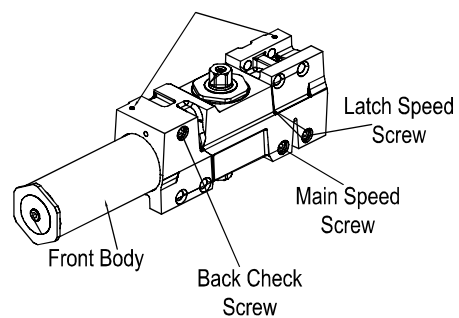
DIM

Opening	A	B
100°	7-1/4" (185mm)	11-13/16" (300mm)
130°	6-1/4" (159mm)	10-13/16" (275mm)

Holes	03.2	05.2
Screw		



Cover Screw



Installation Instructions:

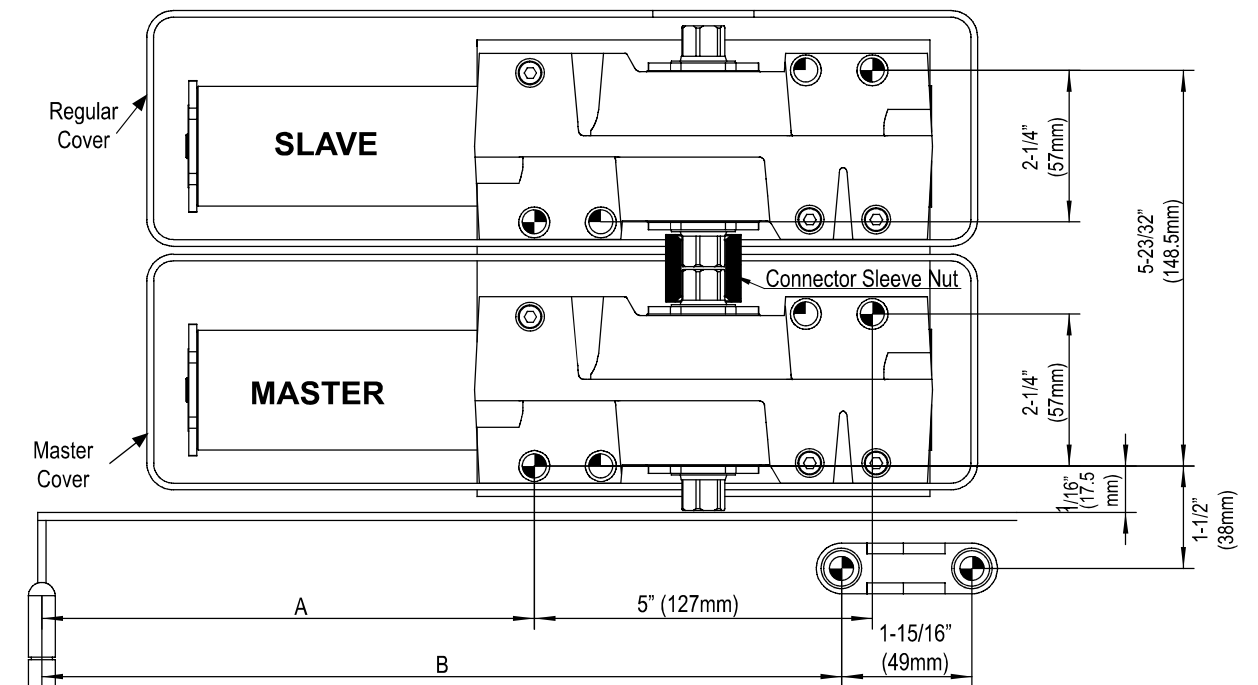
1. Drill 6 holes according to the drawing.
2. Turn all the valves to maximum speed for both MASTER and SLAVE door closers. The MASTER door closer is the one where the arm will be connected.
3. Install the SLAVE door closer ONLY on the mount using 2 screws. Use 2 screws to install the mounting plate on the door.
4. Install regular cover of the SLAVE door closer and secure with screws.
5. Connect the two door closers using the Connector Sleeve Nut. Use 2 screws to fix the MASTER door closer onto the mounting plate. Use the 2 screws to fix the mounting plate to the door.
6. Fix the Shoe to the frame using the screws provided.
7. Install main arm to the top pinion shaft according to the drawing. Use the screws provided.
8. Open the door, connect the rod and Forearm tube. Close the door and adjust the length of the forearm. Place the Forearm perpendicular to the frame. Fix the forearm with screws.
9. Install the MASTER cover and fix with screws provided.

Function:

1. Before adjusting the door closers, turn all the valves to maximum speed.
2. Normal closing time is 4-6 seconds from the 90° to the 0°. To decrease the main speed of door, turn the regulating valve near the shaft, clockwise. To decrease latch speed, turn regulating valve near the hinge, clockwise.
3. Turn the Back Check Valve clockwise. Back Check function is available at 70° - 110°.
4. Increase or decrease the closing force by adjusting the power valve. See page 1 (Power adjustment and door width) for reference.

TOP JAMB (PUSH SIDE) MOUNTING

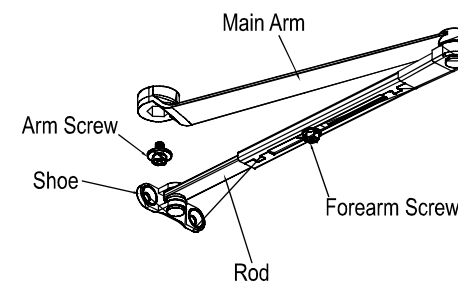
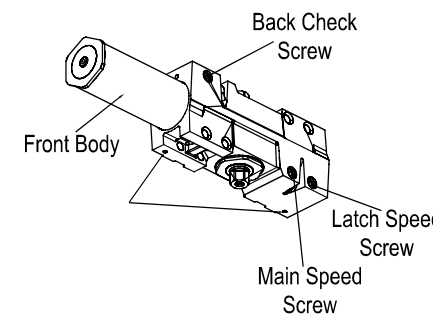
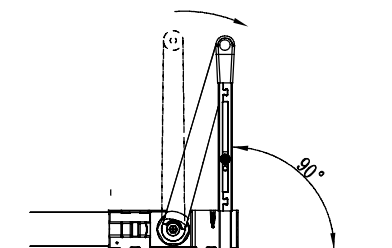
Symmetrical for Left Hand and Right Hand



DIM

Opening	A	B
100°	7-1/4" (185mm)	11-13/16" (300mm)
130°	6-1/4" (159mm)	10-13/16" (275mm)

Holes	03.2	05.2
Screw		



Installation Instructions:

1. Drill 6 holes according to the drawing.
2. Turn all the valves to maximum speed for both MASTER and SLAVE door closers. The MASTER door closer is the one where the arm will be connected.
3. Install the SLAVE door closer ONLY on the mount using 2 screws. Use 2 screws to install the mounting plate on the frame.
4. Install regular cover of the SLAVE door closer and secure with screws.
5. Connect the two door closers using the Connector Sleeve Nut. Use 2 screws to fix the MASTER door closer onto the mounting plate. Use the 2 screws to fix the mounting plate to the frame.
6. Fix the Shoe to the door using the screws provided.
7. Install main arm to the top pinion shaft according to the drawing. Use the screws provided.
8. Open the door, connect the rod and Forearm tube. Close the door and adjust the length of the forearm. Place the Forearm perpendicular to the frame. Fix the forearm with screws.
9. Install the MASTER cover and fix with screws provided.

Function:

1. Before adjusting the door closers, turn all the valves to maximum speed.
2. Normal closing time is 4-6 seconds from the 90° to the 0°. To decrease the main speed of door, turn the regulating valve near the shaft, clockwise. To decrease latch speed, turn regulating valve near the hinge, clockwise.
3. Turn the Back Check Valve clockwise. Back Check function is available at 70° - 110°.
4. Increase or decrease the closing force by adjusting the power valve. See page 1 (Power adjustment and door width) for reference.