

Fig. 1

THASE 6000 series Door Coordinator has two finishes, one is aluminum painted finish, the other one is dark bronze painted. Filler Bar is also painted to match the top frame and door that make both coordinator and Filler Bar are almost invisible and appear to be an integral part of the frame opening.

Use Description

The door coordinator is used on double doors when the inactive door needs to close before the active door which has equipped with or without overlapping astragal. It can prevent the active door from closing earlier than the inactive door, because the unit has an Active Door Hold Open Lever & Inactive Door Release Trigger as shown in above Figure 1, this mechanism permits the active door to close and latch after the inactive door, thus both leaves can avoid collision each other.

As shown in Fig. 2, the Active Door Hold Open Lever (x) holds the active door open until the Inactive Door Release Trigger (y) is released to its retracted position by closing. The door closers must be installed on the double doors without mullion when a coordinator is used.

The following chart is shown to buyers how to select a correct length of the coordinator and filler bar for accommodating the door size.

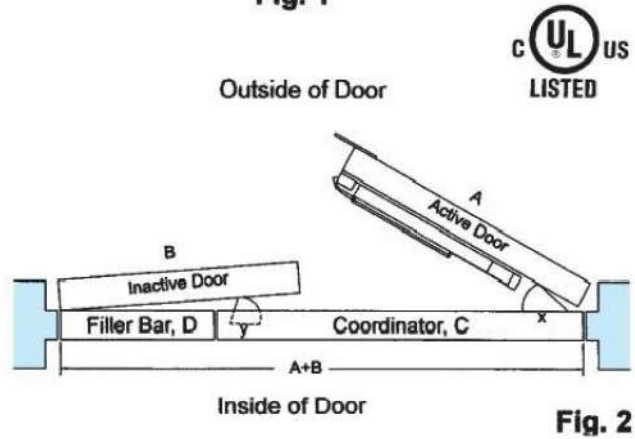


Fig. 2

Order Models and Sizes

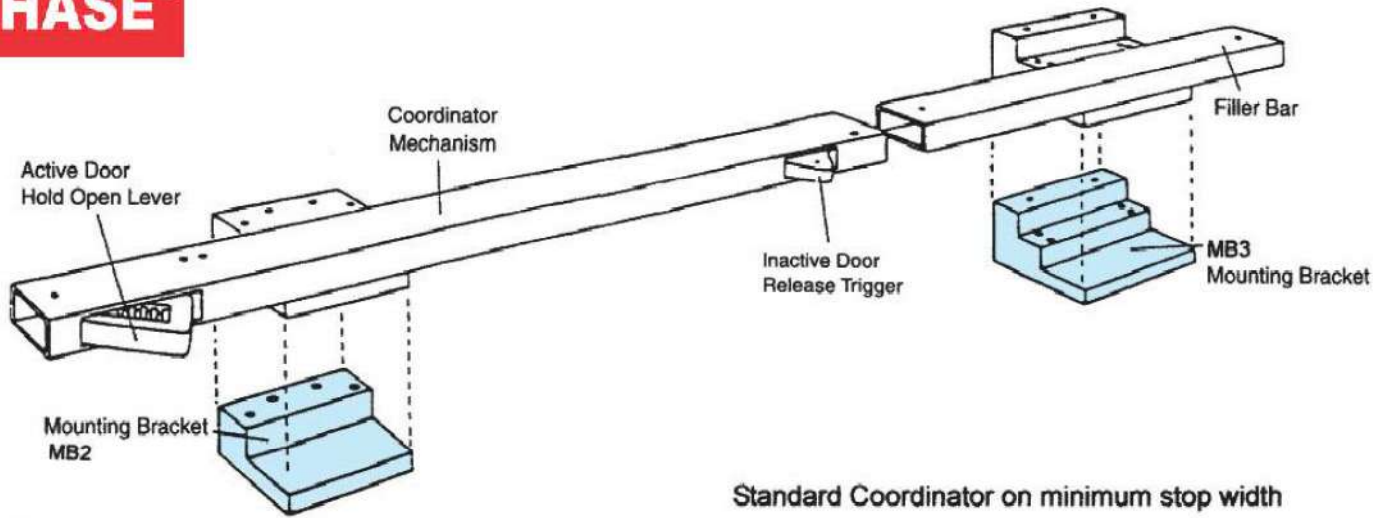
The door coordinator has three lengths and four lengths of the Filler Bar for diverse door sizes use as shown in the table below.

Model Number	Coordinator Lengths
C6042	42"
C6052	52"
C6060	60"

Model Number	Filler Bar Lengths
F6012	12'
F6020	20"
F6036	36"
F6048	48"

Coordinator & Filler Bar Order Chart

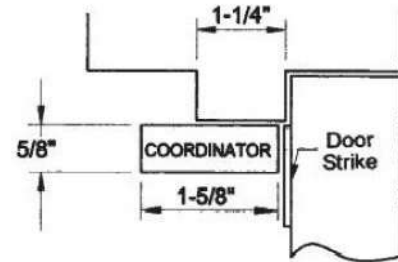
Door Size (width)		Top Frame Opening Widths A+B	Coordinator Length C	Filler Bar Length D
Active Leaf A	Active Leaf B			
2.5' (30")	2.5' (30")	60"	42" 52"	18" 8"
3' (36")	3" (36")	72"	52" 60"	20" 12"
3' (36")	4' (48")	96"	60"	36"
4' (48")	4.5' (54")	108"	60"	48"



Standard Coordinator on minimum stop width

### Mounting Brackets

The mounting bracket is part of the door coordinator, the type number must be specified, if required. IDC furnishes types: MB2 and MB3. The MB2 is used for the top stop width over 2-1/4" and the MB3 is used for the top stop width 7/8" to 2-1/4". **Note: All types of double door frames must be reinforced at the inside as shown in Figure #3.**



MB3 Mounting Bracket for stop width 7/8" to 2-1/4"

MB2 Mounting Bracket for stop width over 2-1/4"

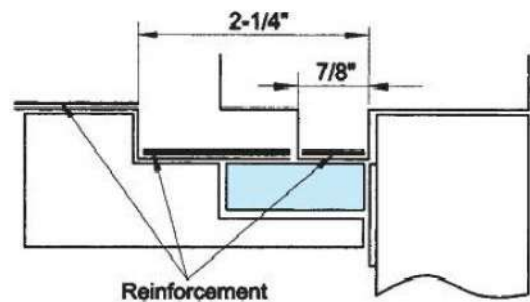
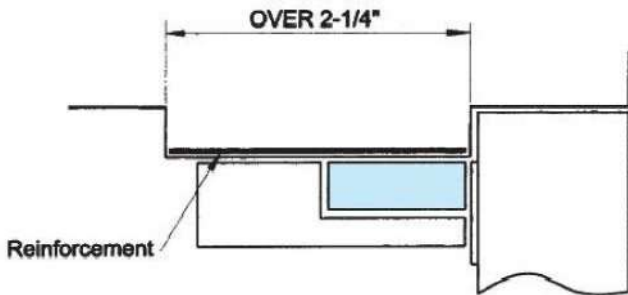


Fig. 3

### Special Order for Top Latch Assemblies

If the Coordinator is used with double doors for IDC 8000 series Surface Vertical Rod or Concealed Vertical Rod exit device, the installer has to cut out the top latch strike position to engage with the top latch in the field.

The following information is required:  
The dimensions of A, B, C, and T using the chart below.

