

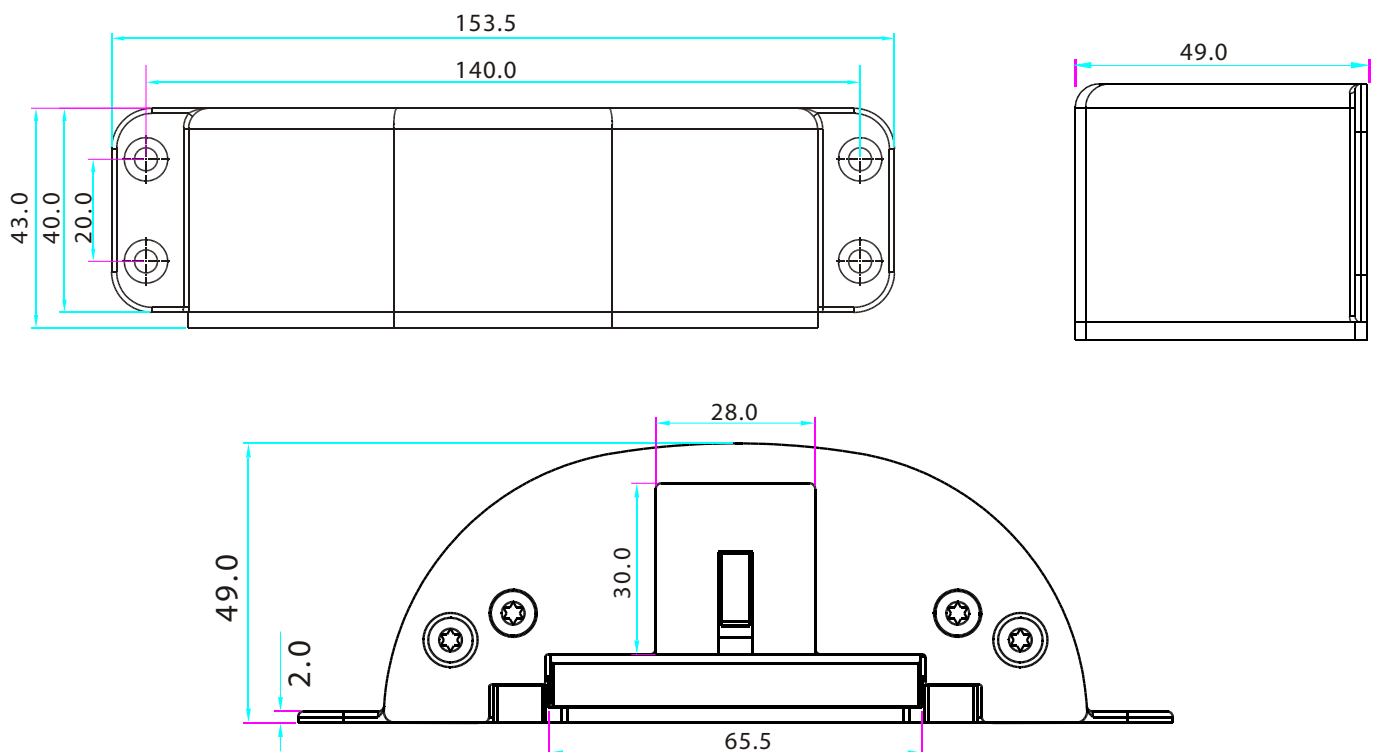
Electric Strike for Push Bar

Model:YS-622-S

Specification

Dimension	153.5Lx43Wx49H(mm)
Voltage	12V/220mA
Bolt Material	Harden 304 Stainless Steel
Feature	Fail Safe / Fail Secure adjustable
Signal Output	Door sensor(NO/NC/COM)
Suitable for	European & American fire push bar
Special design	Applies to all brands of fire push rod lock
Durable design	Mechanical test: 1, 000, 000 times
Door Swing	90 degrees
Weight	0.52kg

Diagram (unit:mm)



Signal Output

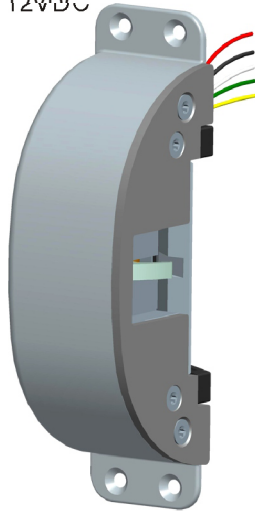
N.C. contact or access relay for fail safe setting.
 N.O. contact or access relay for fail secure setting.

Green : NO
 White : COM
 Yellow : NC

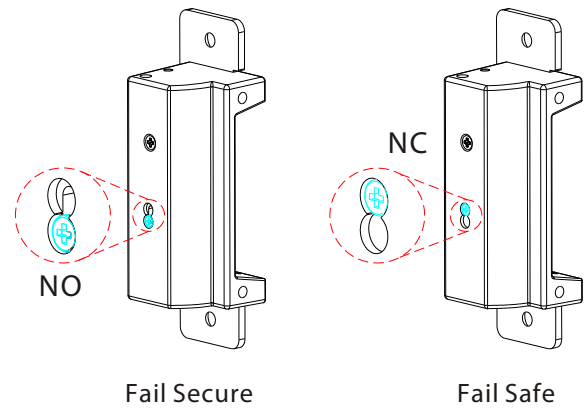
Door Status
 N.C. contact output : open status
 N.O. contact output : closed status

Red : +
 Black : -

12VDC



Function Conversion



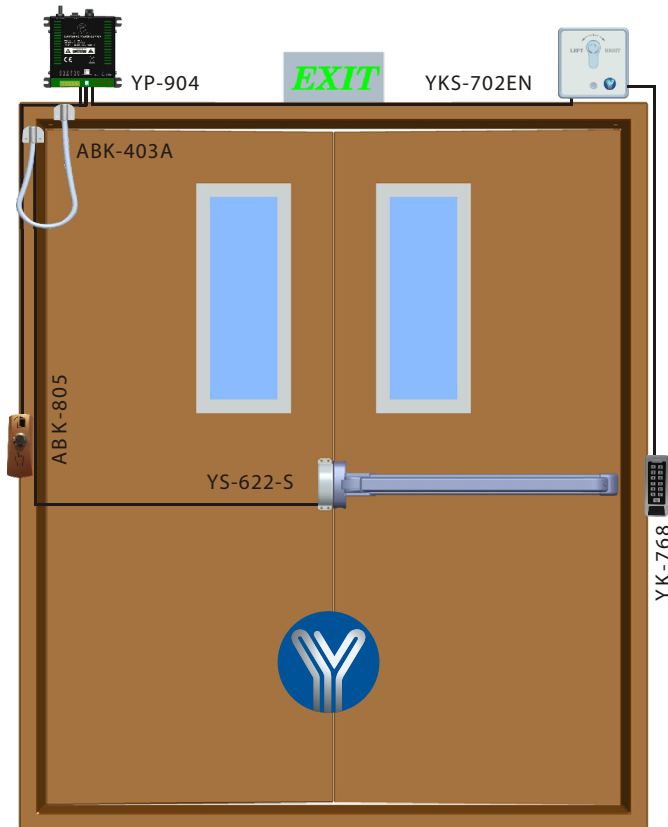
You can set the operation mode of Fail Safe or Fail Secure.

Loose the screw and tighten it in the other hole.

Fail Safe(NC): When power off, the door is in the open status.

Fail Secure(NO): When power off, the door is in the closed status.

Installation Diagram



Overall Dimensions

