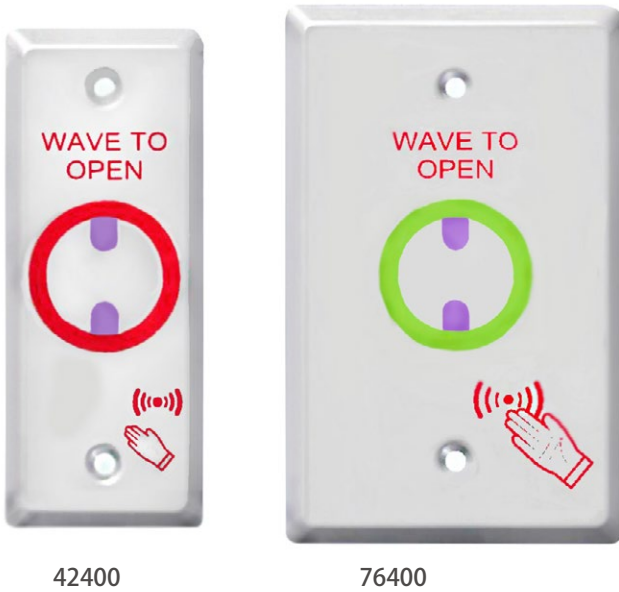
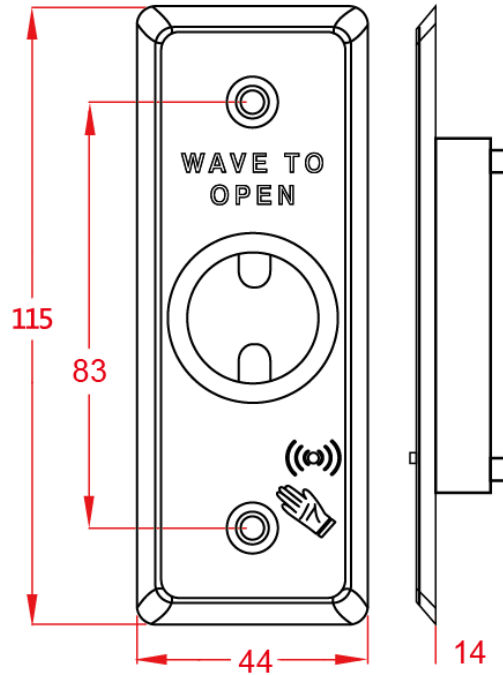


TOUCH LESS EXIT SWITCH - 76400 / 42400 SERIES



• 42400 : 115L*44W*14D



▼ ORDERING INFORMATION

EXAMPLE :

- 76400 : IR Sensor , With narrow faceplate
- 42400 : IR Sensor , With wide faceplate

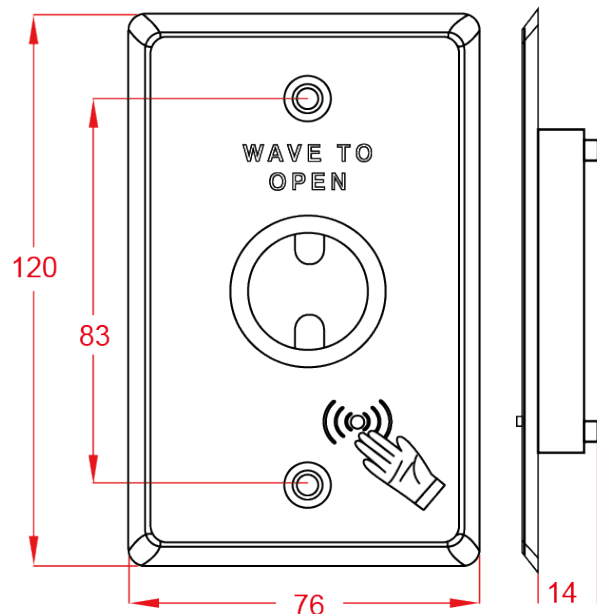
▼ SPECIFICATION

- Sensing Range up to 10cm ± 10%
- Operation Temperature : -25° C~55° C
- Input Voltage : 12V~24VDC
- Holding : 50mA
- Star : 100mA
- Contact rating : 2A 30VAC / VDC

▼ FEATURES

- Use IR Sensor technology ; device is active without touch
- backup operational function
- Dual LED, illuminated sensor, Red/Green indicates Inactive / Active status
- Weatherized with 1mm vandal resistant faceplate
- Designed to control electric locks/stricks, magnetic locks ,or automatic door operators

• 76400 : 120L*76W*14D mm



BUTTON SERIES