

DOOR HOLDER - Wall Flush Mounted DH505 SERIES

DOOR HOLDER



DH505



S-AP702
60L*60W*
55.5H mm
(default)



S-AP702E
outer dia:Ø92mm
inner dia:Ø63.3mm*
24~28.7Hmm

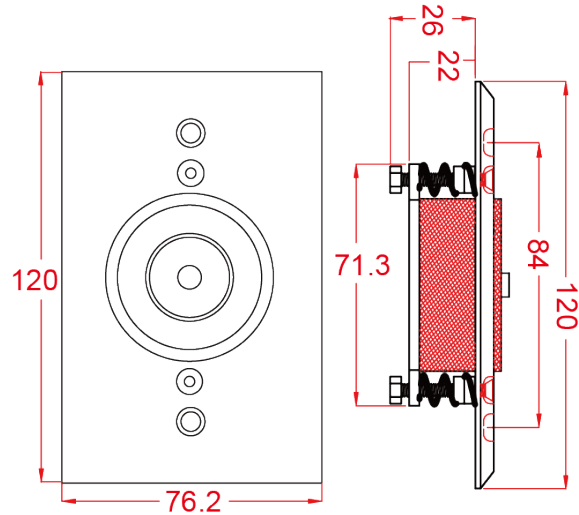


S-AP702F
60L*60W*24H mm

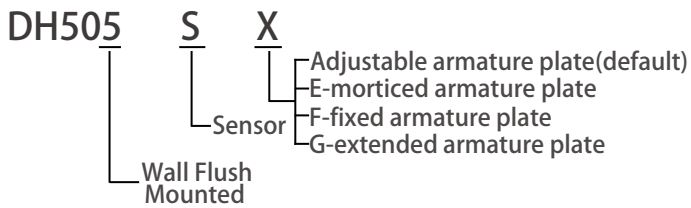


S-AP702G
60L*60W*
93.6~102.6H mm
(height adjustable)

• DH505 : 120L*76.2W*30.5H mm



▼ ORDERING INFORMATION



EXAMPLE :

- DH505 : Wall flush mounted, w/adjustable armature plate
- DH505S : Wall flush mounted, w/adjustable armature plate, monitored
- DH505F : Wall flush mounted, w/fixed armature plate

▼ SPECIFICATION

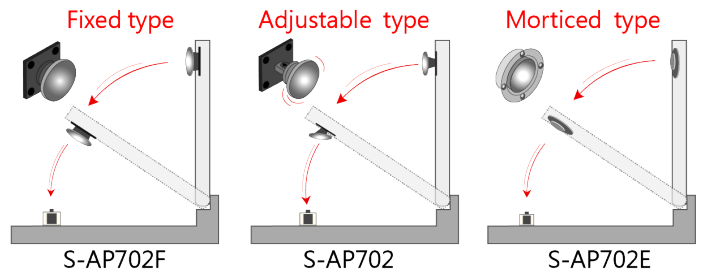
- Holding Force : about 125LBS
- Built-in voltage spike suppressor
- Sensor : optional
- Adjustable Distance : 10mm
- Voltage : 12 / 24VDC (Selectable)
- Current Draw : 100mA / 12VDC
50mA / 24 VDC

▼ FEATURES

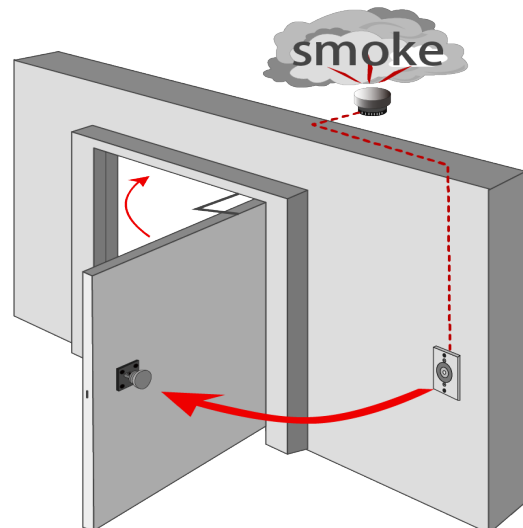
- Suitable for fire escape doors in large-scale buildings.
- It releases the armature plate to allow the door closer to close the door when a fire alarm or emergency is detected, to keep smoke in a limited area.
- Adjustable, fixed, extended, or morticed armature plate

▼ ARMATURE PLATE INSTALLATION

- Adjustable Armature Plate (default) : applicable for environments with angle differences between the door and the wall



▼ APPLICATION



DH505 Wall flush mounted