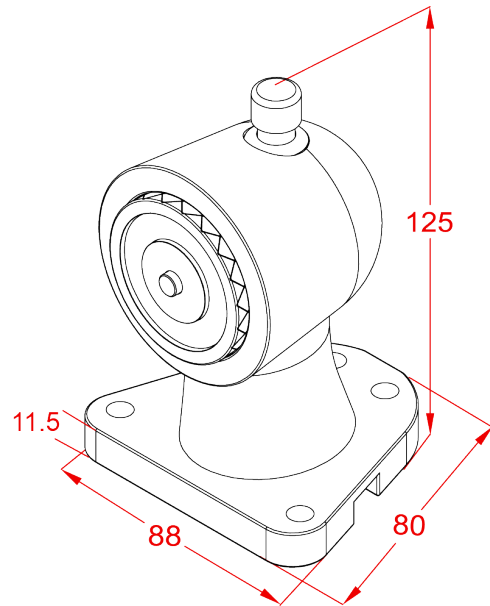


DOOR HOLDER - Floor mounted DH506 SERIES

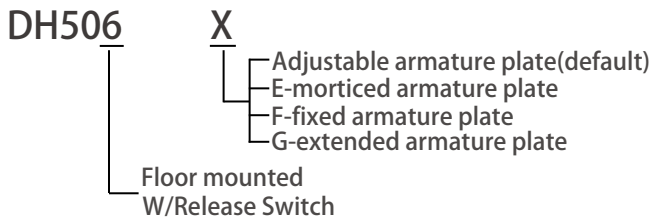
DOOR HOLDER



• DH506 : 80L*88W*126H mm



▼ ORDERING INFORMATION



EXAMPLE :

- DH506 : Floor mounted, w/adjustable armature plate, w/release switch
- DH506F : Floor mounted, w/fixed armature plate, w/release switch

▼ SPECIFICATION

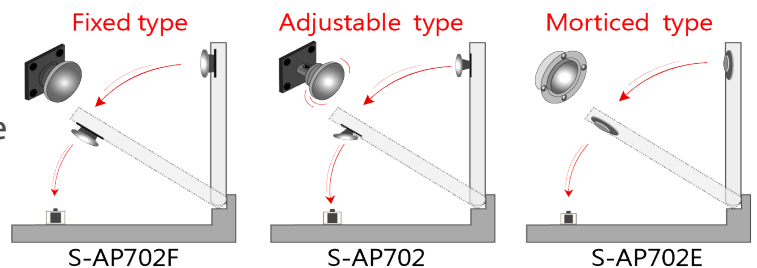
- Holding Force : about 100LBS
- Built-in voltage spike suppressor
- Sensor : optional
- Voltage : 12 / 24VDC (Selectable)
- Current Draw : 100mA / 12VDC ,
50mA / 24VDC

▼ FEATURES

- Suitable for fire escape doors in large-scale buildings.
- It releases the armature plate to allow the door closer to close the door when a fire alarm or emergency is detected, to keep smoke in a limited area.
- With Release Switch : to release the door for other purposes (e.g. function test)
- Adjustable, fixed, extended, or morticed armature plate

▼ ARMATURE PLATE INSTALLATION

- Adjustable Armature Plate (default): applicable for environments with angle differences between the door and the wall



▼ APPLICATION

