

DOOR HOLDER - wall mounted DH507

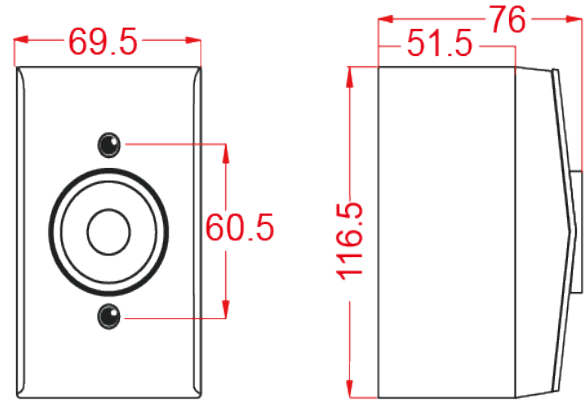
DOOR
HOLDER



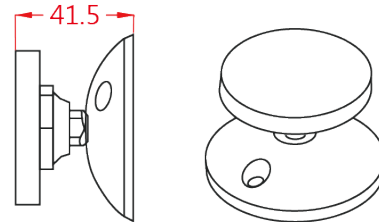
DH507



- DH507 : 116.5L*69.5W*76H mm



- Armature Plate : 64L*64W*41.5H mm
- Adjustable Armature Plate (default): applicable for environments with angle differences between the door and the wall



▼ ORDERING INFORMATION

DH507

Wall Mounted
W/Back Box

EXAMPLE :

- DH507 : Wall Mounted, With Back Box

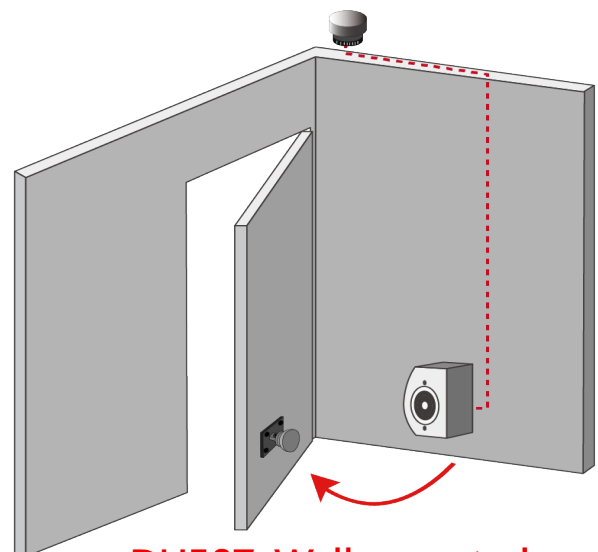
▼ SPECIFICATION

- Holding Force : about 130LBS
- Built-in voltage spike suppressor
- With back box
- 12V AC/DC : 60mA (Selectable)
- 24V AC/DC : 30mA
- 120VAC : 20mA

▼ FEATURES

- Wall mounted installation
- Suitable for fire escape doors in large-scale buildings.
- It releases the armature plate to allow the door closer to close the door when a fire alarm or emergency is detected, to keep smoke in a limited area.
- Adjustable armature plate

▼ APPLICATION



DH507 Wall mounted