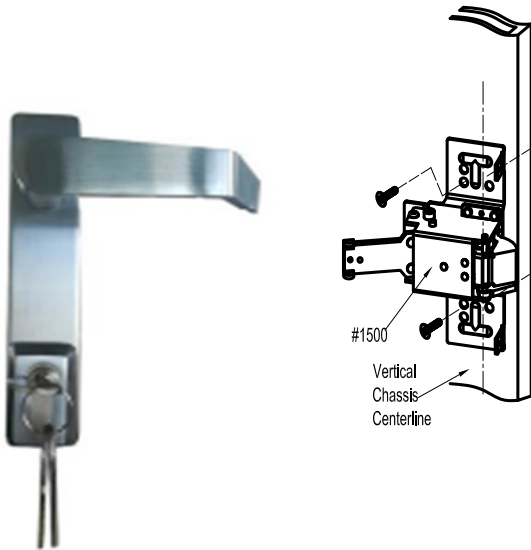




# DT-H109 EXTERNAL TRIM



Lockable Escutcheon lever trim. Key locks and unlocks lever.	No cylinder, trim always operable.	Pull trim only. Used with dogged down device.
13 function Entrance	15 function Passage	10 function Dummy
Attach the collar and mortise cyl to the esc case with mortise mut, attach case to door thru bolting (2) screws to the chasis, aligning spindle to hub.	Attach esc case to door thru bolting the (2) screws to the chasis, aligning spindle to hub of the Chasis.	Attach the cooar and dummy cyl to the esc case with mortise mut, attach case to door thru bolting (2) screws to the chasis.

## ESCUTCHEON Lever Trim

Instructions for changing hand of lever RHR (Reverse Steps for LHR)

<p>1. Lever Trim shipped and supplied with lever positioned neutral, Non handed.</p>	<p>2. Rotate lever handle to desired hand.</p>
<p>3. Fasten stop screw into the handle, using hex wrench.</p>	<p>4. Fasten stop screw on the side of handle, using hex wrench.</p>

### Instructions for replacing cylinder

1. With locking plate in down position, unscrew cyl nut and remove the cyl and ring.
2. Replacing cyl by reversing above procedure. Make sure that cyl cam points up and correct length of ring is used.

