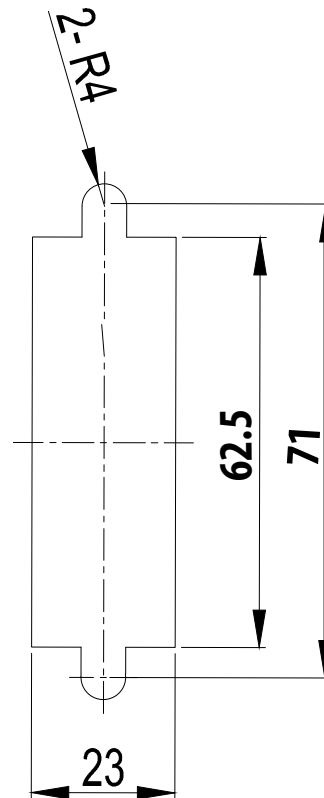
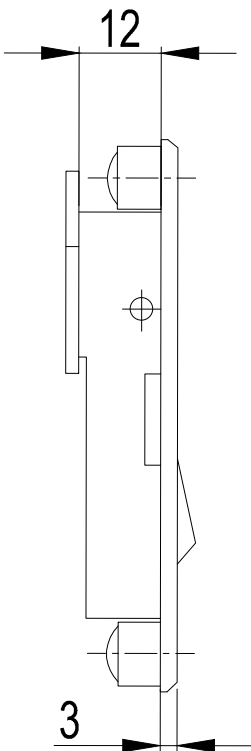
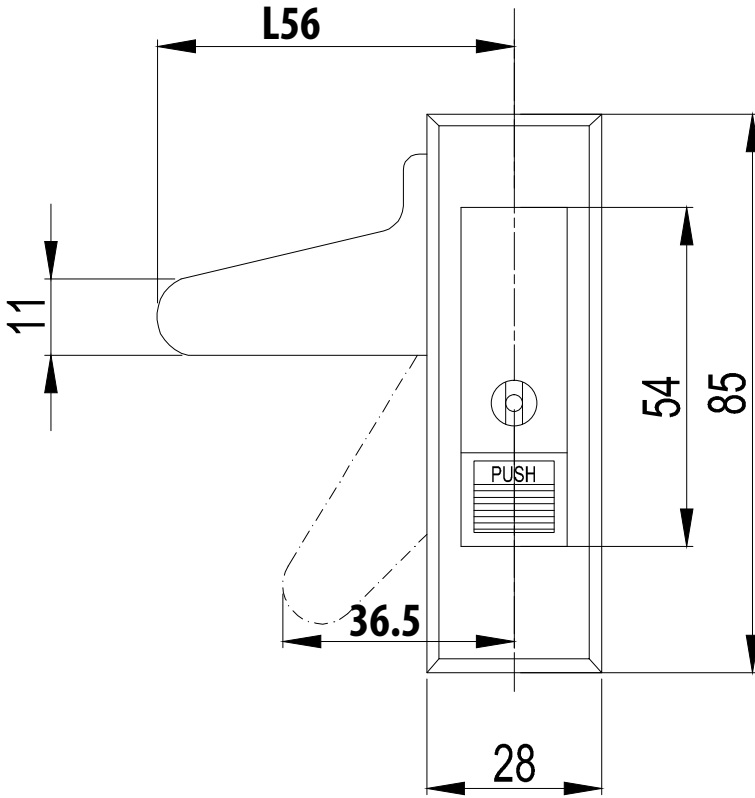




Fire Cabinet Handle

Model No: FCH 03
Finish: SSS



CUT OUT

