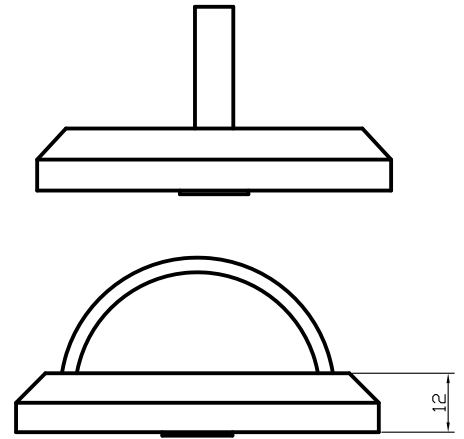
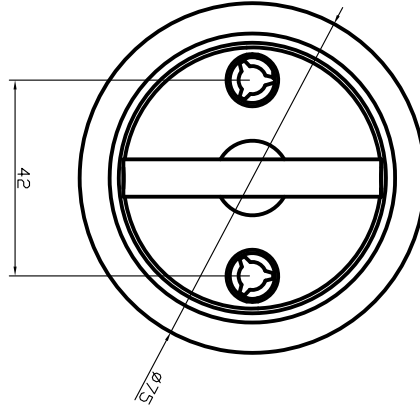




FIRE CABINET HANDLE

MODEL NO : FCH01
Grade : 304 (316 Grade - MOQ Applicable)
Finish : SSS, PBR, PSS



MODEL NO : FCH02
Grade : 304 (316 Grade - MOQ Applicable)
Finish : SSS, PBR, PSS

