

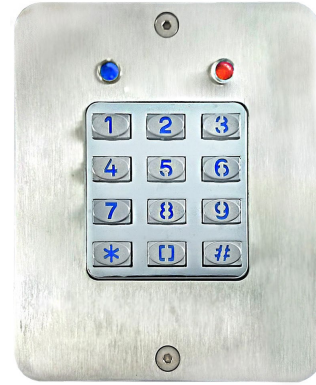
ACCESS CONTROLLER - KP165 SERIES



KP165



KP165S



KP165M

▼ ORDERING INFORMATION

EXAMPLE :

- KP165 : Surface mounted
- KP165S : Surface mounted
- KP165M : Flush mounted

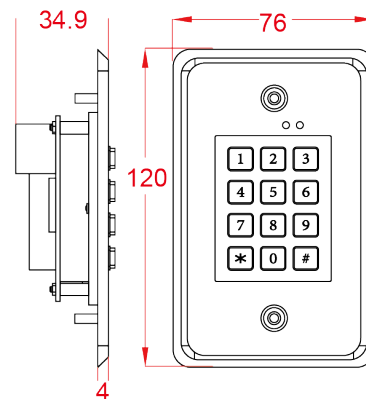
▼ SPECIFICATION

- Input Voltage : 12V~24VDC
- Contact rating : 2A 30VAC /VDC
- Operating Temperature : -25° C~55° C

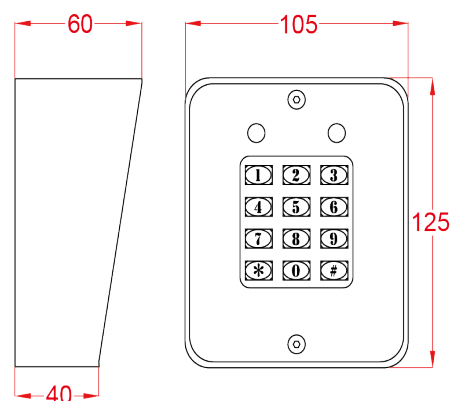
▼ SPECIAL FEATURE

- Up to 480 users
- 1 to 6 digit user codes
- 4 independent outputs
- 4 independent timers
- 2 solid state open collector outputs
- Request - to - exit / enter input
- Timed anti-pass back (Prevent using same code again before the programmed time)

- KP165 : 120H*76W*34.9 mm



- KP165S : 125H*105W*60D mm



- KP165M : 120H*100W *37.4D mm

