

# ELECTROMAGNETIC SHEARLOCK

## MLM SERIES - MORTICE MOUNTED

### ORDERING INFORMATION

MLM 01

- └ Single size
- └ 1200LBS MLM Series

EXAMPLE :

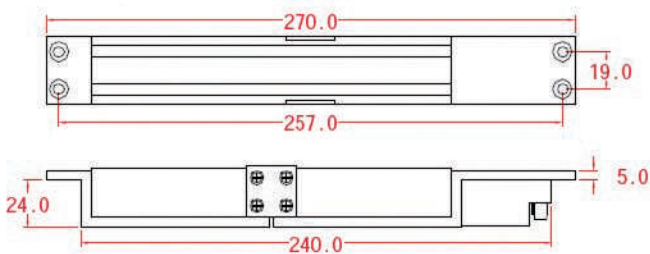
- MLM01 – Magnetic shearlock 1200P

### SPECIFICATIONS

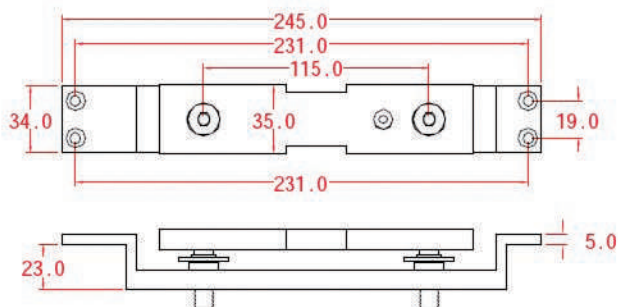
- Dimensions:
  - Magnet - 270Lx35Wx30D mm
  - Armature Plate -245Lx35Wx30D mm
- Signal: Lock status sensor (Hall), Timer
- Dual Voltage: 12/24VDC
- Current Draw: 1.6A/12VDC, 0.9A/24VDC
- Holding Current: 0.4A/12VDC, 0.3A/24VDC
- Holding Force: about 1200LBS
- Built-in voltage spike suppressor
- Special finish: Zinc (on the magnet & armature plate)
- Black-Painted brackets

### DIMENSIONS

- Magnet



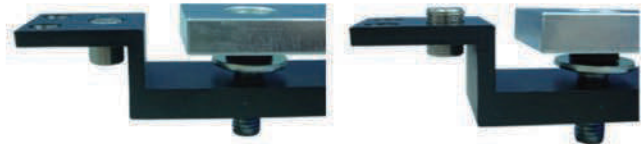
- Armature Plate



MLM01

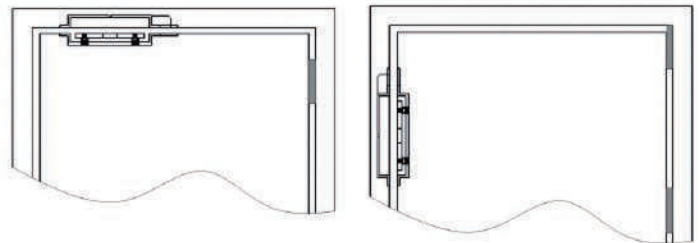
### SPECIAL FEATURE

- Adjustable door status position for improved security

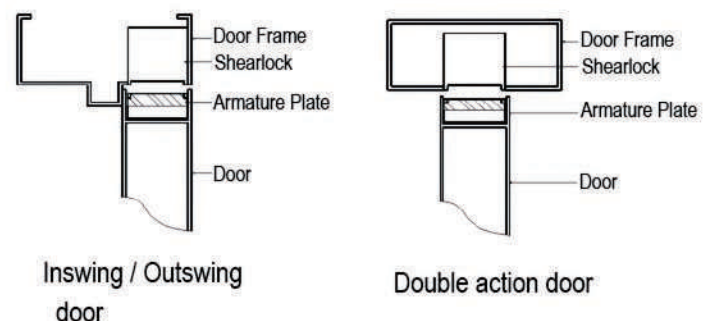


### APPLICATION

- Suitable for single and double action door



### INSTALLATION



VGSE RESERVES THE RIGHT TO CHANGE SPECIFICATIONS WITHOUT NOTICE