

PUSH BUTTON - PB21 / PB41 / PB22 SERIES METAL PUSH BUTTON



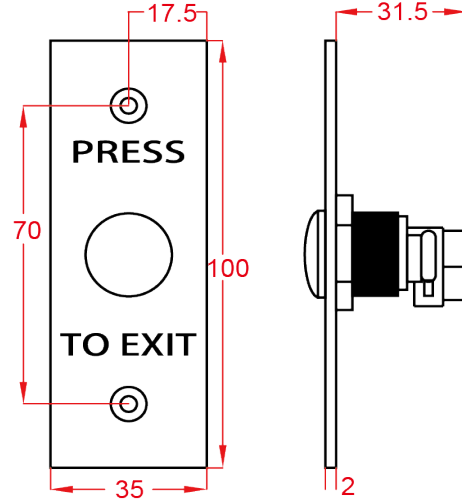
PB21

PB41

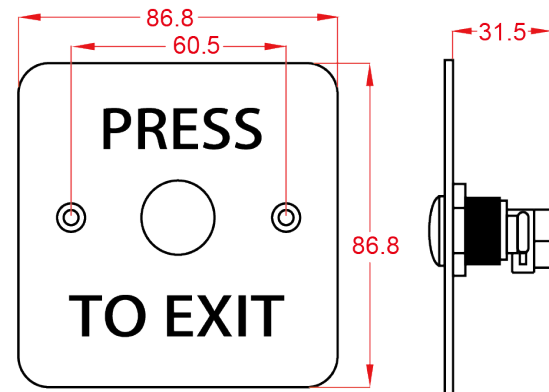


PB22

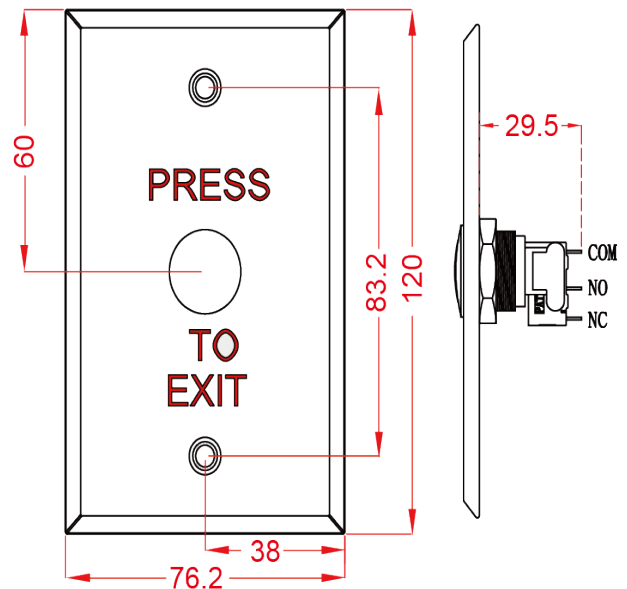
- PB21 : 100L*35W*31.5D mm



- PB22 : 86.8L*86.8W*31.5D mm



- PB41 : 120L*76.2W*29.5D mm



BUTTON SERIES

▼ ORDERING INFORMATION

EXAMPLE :

- PB21 : Push button W/narrow faceplate
- PB41 : Push button W/wide faceplate
- PB22 : Push button W/wide faceplate

▼ SPECIFICATION

- Face Plate : Stainless steel brushed finish
- Switch Data : 5A/125VAC , 3A/250VAC

▼ WIRING DIAGRAM

- 1. (Com.)
- 2. Normally Closed (NC.)
- 3. Normally Open (NO.)

