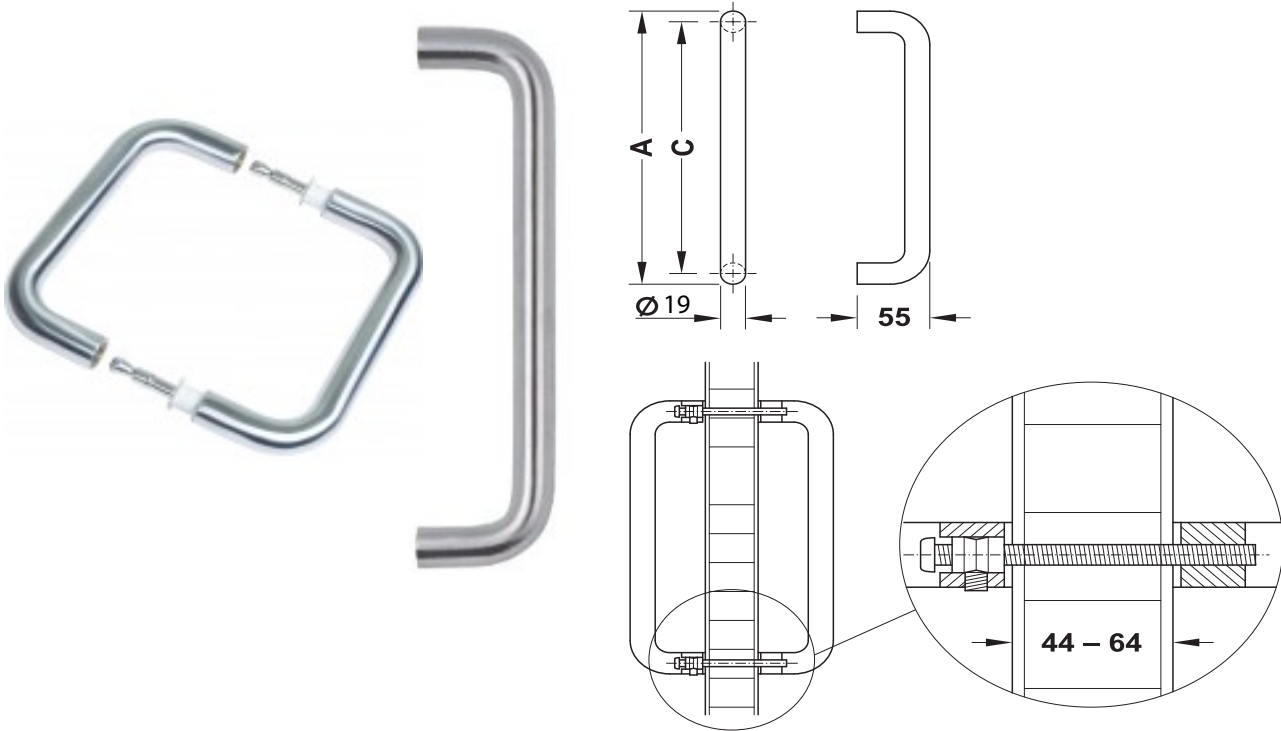




SOLID PULL HANDLE



Material	Stainless Steel
Finish	SSS
Installation	Bolt Through / Back To Back
Drill Hole Dia	Door Drilling 10mm

For Door Thickness

44-64mm

Diameter mm	Dim. A mm	Dim. C mm	Model No
19mm	244mm	225mm	PH19D
19mm	319mm	300mm	PH193D

