



PHP01A - Pull Handle on Plate

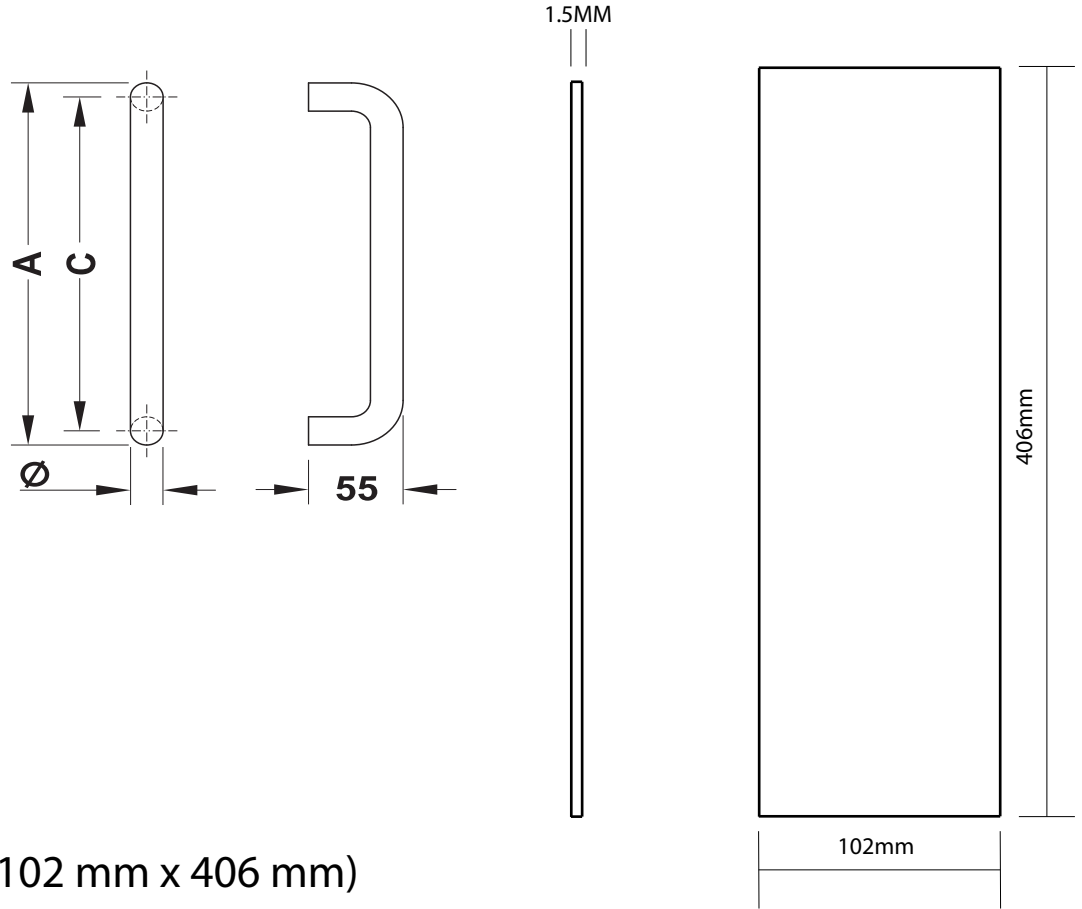


Plate Size:
 - 4" x 16" (102 mm x 406 mm)

Finishes:
 - SSS, PSS, PBR

Material	Stainless Steel
Finish	SSS
Installation	Surface Mounting

Diameter mm	Dim. A mm	Dim. C mm	Model No
30mm	319mm	300mm	PHP01A

