

PUSH-PULL TRIM WITH MORTISE LOCK

This push-pull trim was designed for its easy operation to open hospital room doors for patients protection in case of fire. The wider handle integrated with a mortise lockcase provides wonderful versatility. The trim popularly used in hospitals and health care centers, now it can use in disabled restrooms, laboratories, operating rooms, and any other buildings where require more convenience, durability or security applications.

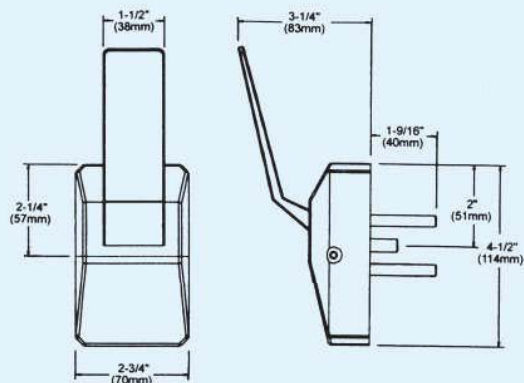
Features:

- The push-pull trim can be mounted in vertical (up or down) and horizontal orientations in field, see NOTE
- Through-bolted design for trims with lockcase in stability
- Handling is easily field reversible
- Fits for 1-3/4" (44mm) thick standard RHR or LHR hollow metal doors & wood doors, other than standard 1-3/4" (44mm) is available but specify door thickness when ordered.
- Push-Pull trim is non-handed, easy installation
- Mortise lock functions available (recommended): F01, F04, F05, F09, F11, F13, F14, F19, F20, F22, F30. Details see next page
- Handles are cast stainless steel, corrosion protected
- Patented in USA and UL listed
- Available in BHMA finishes

Note:

When cylinders are used, the handles MUST be mounted in down or horizontal positions on the cylinder side. The mounting way is the same required when thumbturn inside is used.

Designate hand and how handles are to be mounted that is PUSH down from inside of door, PULL up from outside of door



Multiple Mounting Hands:

