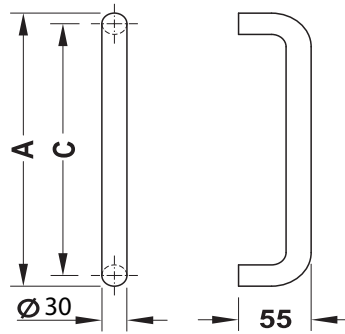
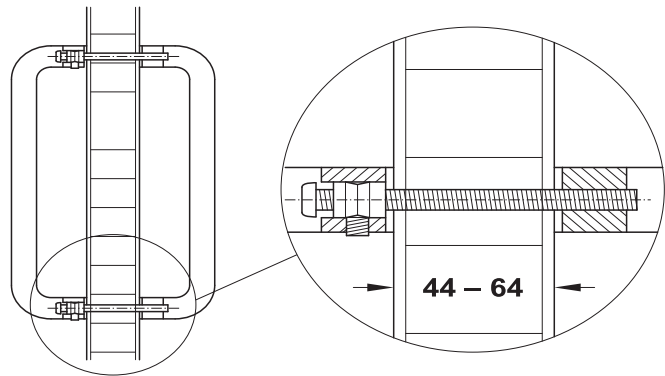




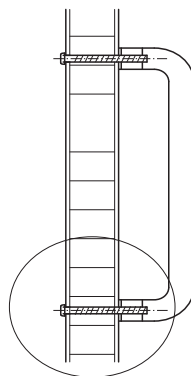
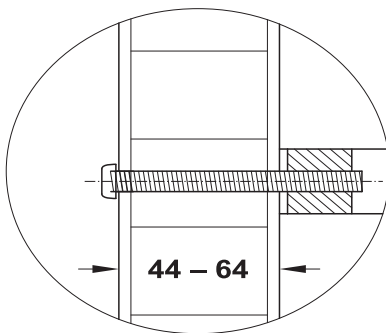
Q10 - SOLID PULL HANDLE



BTB - INSTALLATION



BOLT THRU INSTALLATION



Material	Stainless Steel
Finish	SSS
Installation	Bolt Through / Back To Back
Drill Hole Dia	Door Drilling 12mm

For Door Thickness		44-64mm	
Diameter mm	Dim. A mm	Dim. C mm	Model No
30mm	519mm	500mm	Q10

