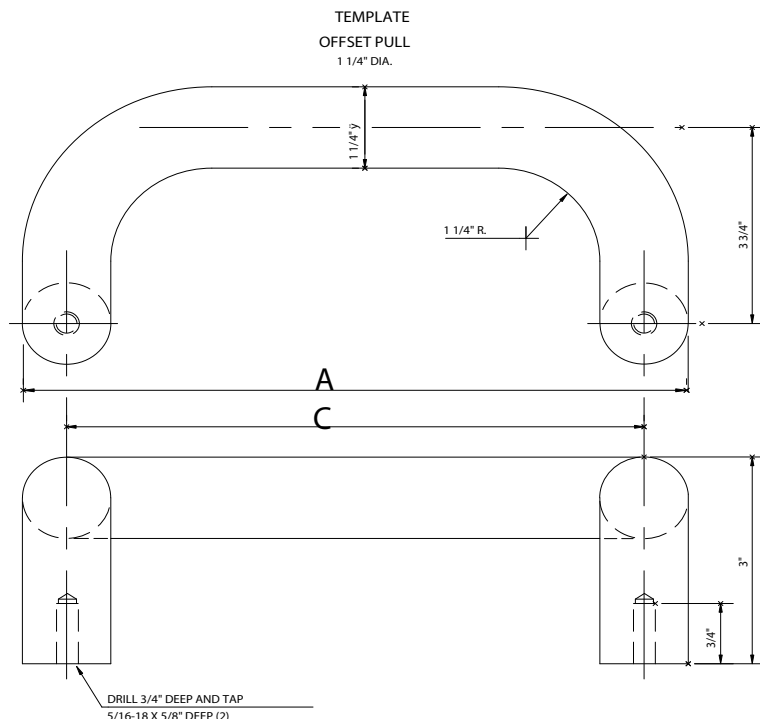
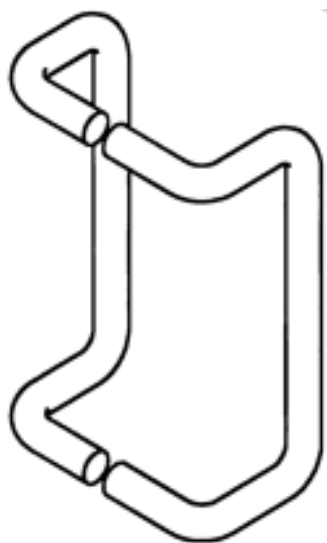
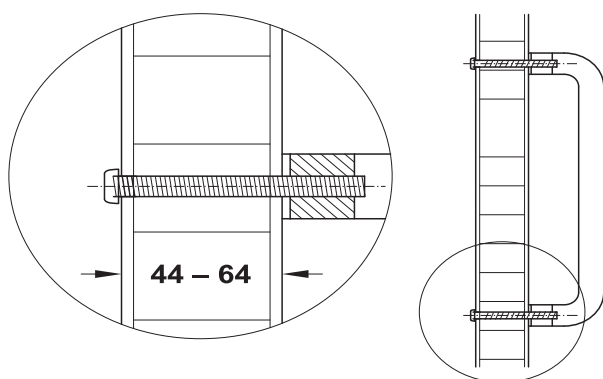




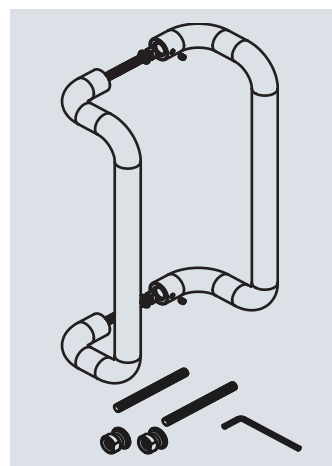
Q23 - OFFSET PULL HANDLE



BOLT THRU INSTALLATION



BACK TO BACK INSTALLATION



Material	Stainless Steel
Finish	SSS
Installation	Bolt Through / Back To Back
Drill Hole Dia	Door Drilling 12mm

For Door Thickness

44-64mm

Diameter mm	Dim. A mm	Dim. C mm	Model No
30mm	319mm	300mm	Q23

