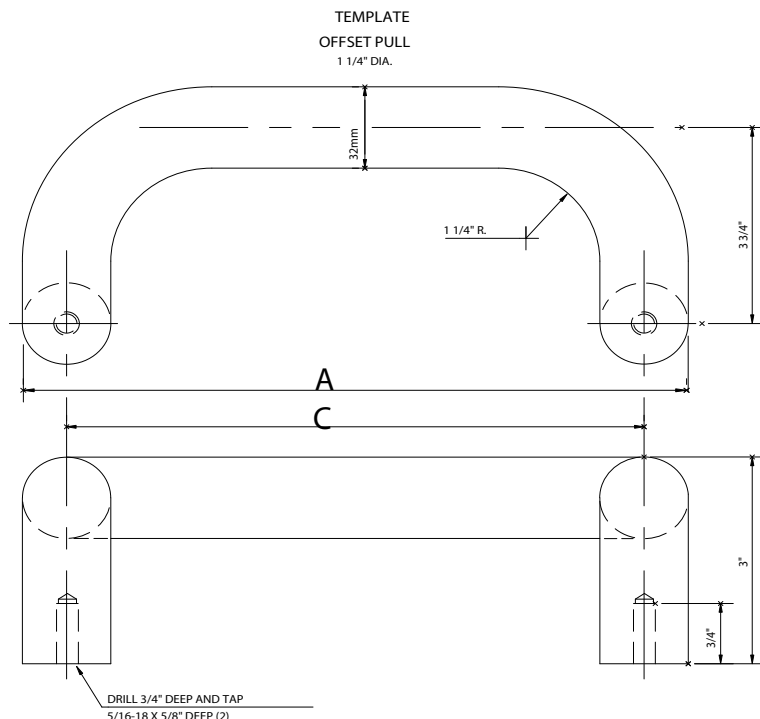
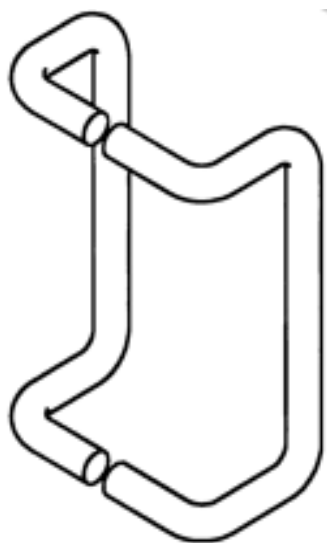
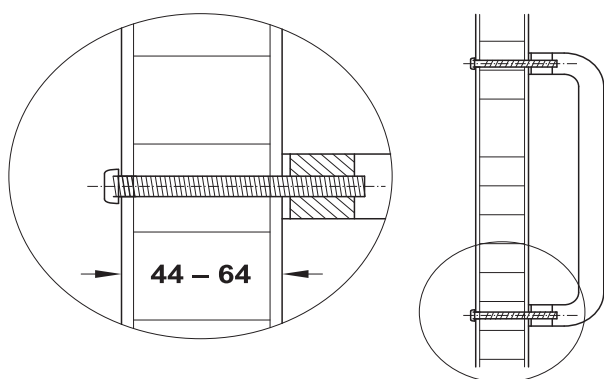




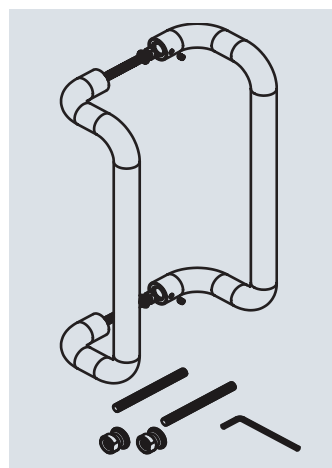
Q24 - OFFSET PULL HANDLE - HOLLOW



BOLT THRU INSTALLATION



BACK TO BACK INSTALLATION



Material	Stainless Steel
Finish	SSS
Installation	Bolt Through / Back To Back
Drill Hole Dia	Door Drilling 12mm

For Door Thickness

44-64mm

Diameter mm	Dim. A mm	Dim. C mm	Model No
32mm	1032mm	1000mm	Q24

