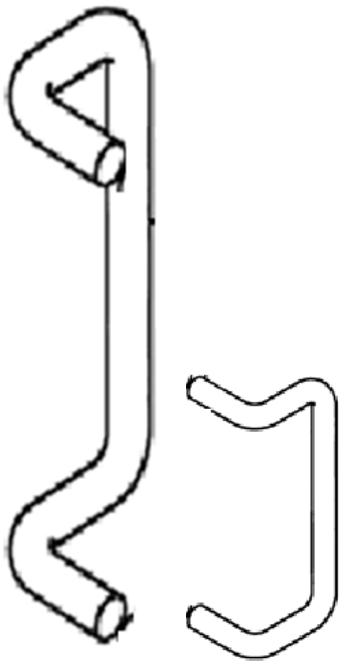
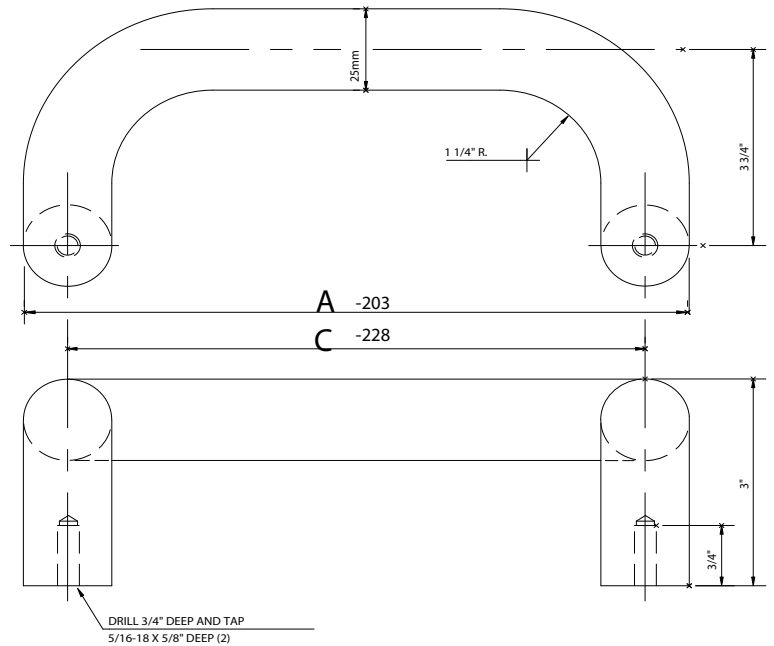




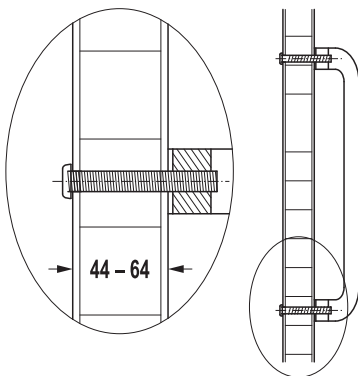
Q252 - OFFSET PULL HANDLE - HOLLOW



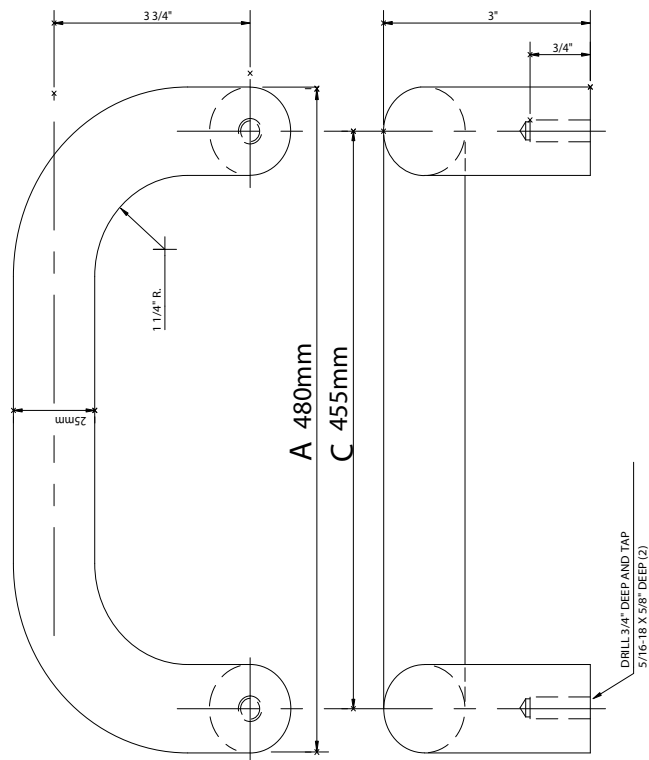
TEMPLATE-A
OFFSET PULL
1 1/4" DIA.



BOLT THRU INSTALLATION



TEMPLATE-B
OFFSET PULL
1 1/4" DIA.



Material	Stainless Steel
Finish	SSS
Installation	Bolt Through / Back To Back
Drill Hole Dia	Door Drilling 12mm

For Door Thickness **44-64mm**

Diameter mm	Dim. A mm	Dim. C mm	Model No
25mm			Q252

