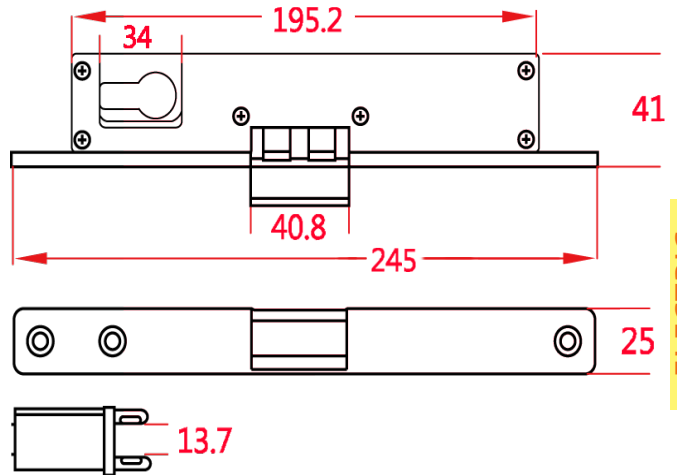


ELECTRIC STRIKES - ST245

Dual Mode
(Double-swing glass door)

- ST245SL : 245L*25W*41Hmm



ELECTRIC STRIKES

▼ ORDERING INFORMATION

ST245 S L
 |
 Lock Sensor

EXAMPLE :

- ST245 : With lock sensor, lock cylinder

▼ SPECIFICATION

- Glass Thickness : 8~12mm
- Voltage : 12VDC / 300mA
 24VDC / 150mA

▼ FAIL SAFE / FAIL SECURE

- Site convertible from one mode to the other (Fail secure default, unless specified on order)

▼ APPLICATION

- Applicable to frameless glass door only
- Bi-directional locking function
- Option : Lock cylinder for emergency opening in fail secure mode

