

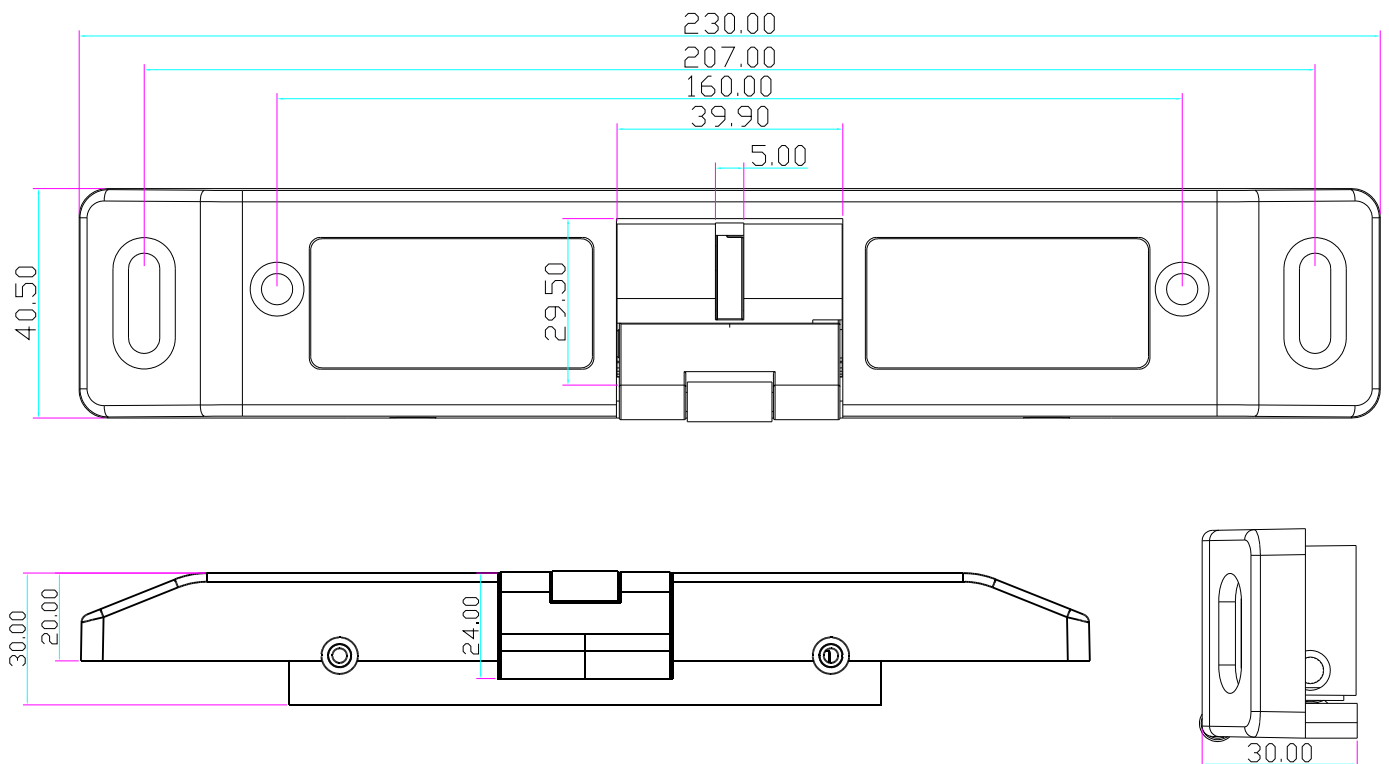
# Electric Strike for Push Bar

## Model:YS-621-S

### Specification

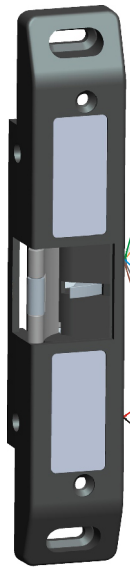
Dimension	230L*40W*30H(mm)
Voltage	12V/220mA(24V/110mA need order)
Bolt Material	Harden 304 Stainless Steel
Feature	Fail Safe / Fail Secure adjustable
Signal Output	Lock sensor & Door sensor(NO/NC/COM)
Suitable for	European & American fire push bar
Special design	Applies to all brands of fire push rod lock
Door Swing	90 degrees
Weight	0.75kg

### Diagram(unit:mm)



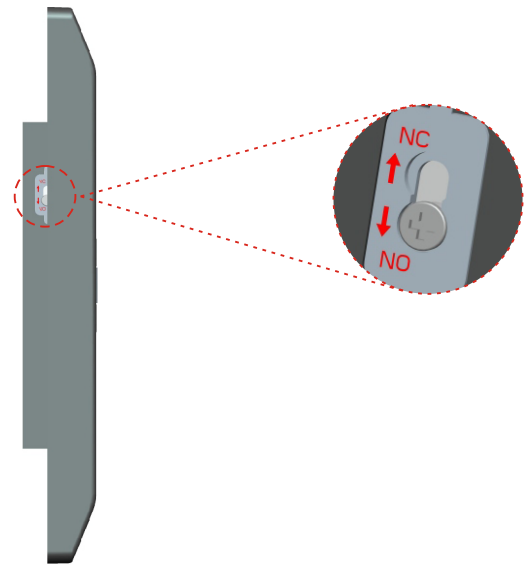
## Signal Output

N.C. contact or access relay for fail safe setting.  
 N.O. contact or access relay for fail secure setting.



- |             |                             |                                       |
|-------------|-----------------------------|---------------------------------------|
| Green : NO  | } Door Status               | N.C. contact output : open status     |
| White : COM |                             | N.O. contact output : closed status   |
| Yellow : NC |                             |                                       |
| Bule : NO   | } Locked or Unlocked Status | N.O. contact output : unlocked status |
| Gary : COM  |                             | N.C. contact output : locked status   |
| Brown : NC  |                             |                                       |
| Red : +     | } 12VDC(24VDC need order)   |                                       |
| Black : -   |                             |                                       |

## Adjustment

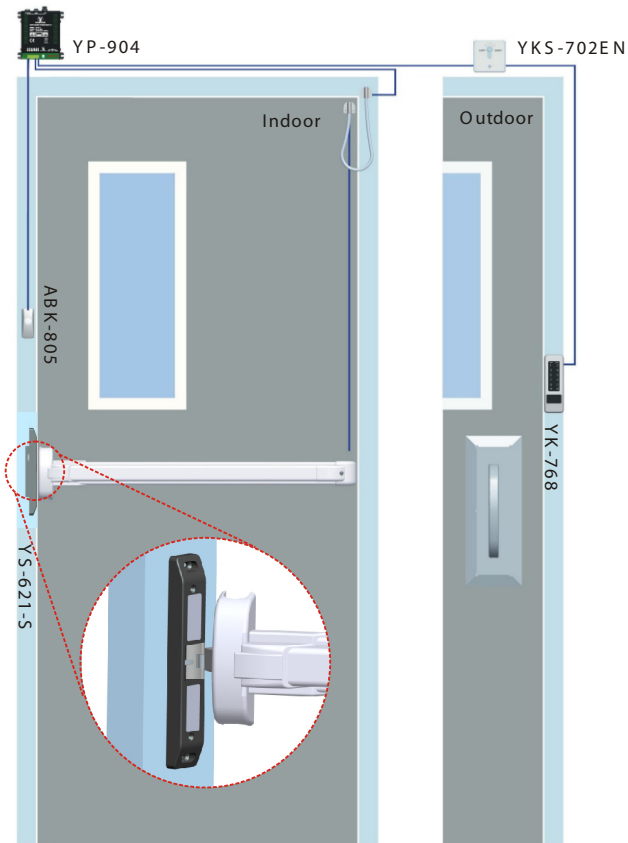


Alternate fail safe and fail secure(adjustable)

Procedure:

1. Unscrew.
2. Move the screw to another side.
3. Screw.

## Installation Diagram



## Overall Dimensions

